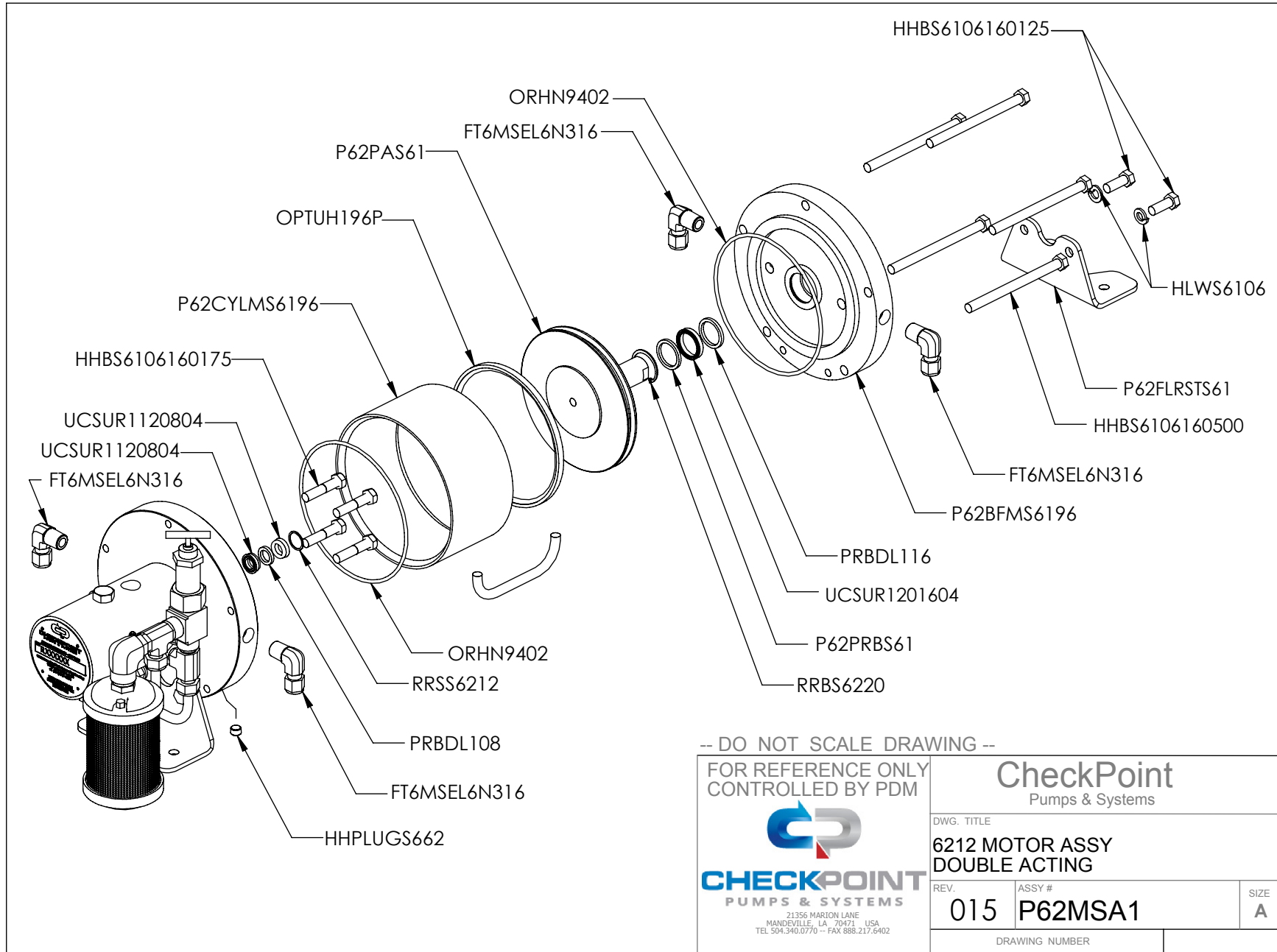


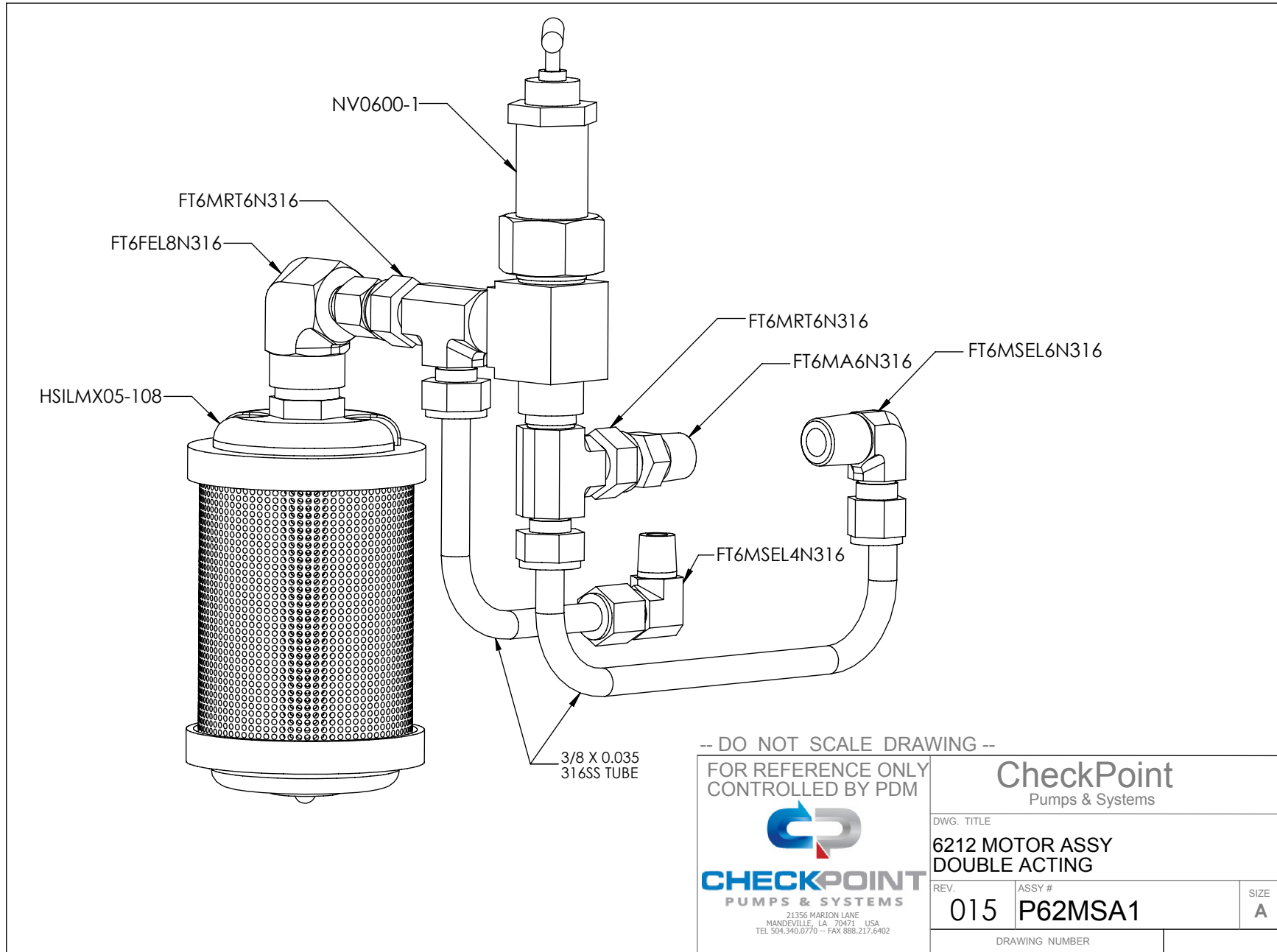
FOR REFERENCE ONLY
CONTROLLED BY PDM




21356 MARION LANE
MANDERVILLE, LA 70471 USA
TEL 504.340.0770 -- FAX 888.217.6402


CheckPoint Pumps & Systems	
DWG. TITLE 6212 MOTOR ASSY DOUBLE ACTING	
REV. 015	ASSY # P62MSA1
SIZE A	
DRAWING NUMBER	







-- DO NOT SCALE DRAWING --

FOR REFERENCE ONLY CONTROLLED BY PDM			
DWG. TITLE 6212 MOTOR ASSY DOUBLE ACTING			
REV.	ASSY #	SIZE	
015	P62MSA1	A	
DRAWING NUMBER			


 21356 MARION LANE
 MANDEVILLE, LA 70471 USA
 TEL 504.340.0770 -- FAX 888.217.6402

BILL OF MATERIALS			
PART NUMBER	DESCRIPTION	QTY.	MATERIAL CODE
BB1CN03	BALL	1	CN
FT6FEL8N316	ELBOW	1	S6
FT6MA6N316	ADAPTOR	1	S6
FT6MRT6N316	FITTING	2	S6
FT6MSEL4N316	ELBOW	1	S6
FT6MSEL6N316	ELBOW	5	S6
FT6PC6316	PORT CONNECTOR	1	S6
HHBS6106160125	BOLT - BASE	4	S6
HHBS6106160175	BOLT - HOUSING	4	S6
HHBS6106160500	BOLT - CYLINDER	5	S6
HHPLUGS662	NPT PLUG	5	S6
HLWS6106	LOCK WASHER	4	S6
HSILMX05-108	MUFFLER	1	N/A
HWSHS6108	FLAT WASHER	1	S6
NVO600-1	NEEDLE VALVE	1	N/A
P2551	SCREW	4	S6
P2511	PIN	1	S0
P62ASS61	SCREW	1	S6
P62BFMS6196	FLANGE	1	S6
P62CYLMS6196	CYLINDER	1	S6
P62DSTR1	D SLIDE	2	TC
P62FLRSTS61	BASE	2	S6
P62MHS61	HOUSING	1	S6
P62PAS61	PISTON	1	S6
P62PRBS61	BUSHING	1	S6
P62SNP	SERIAL PLATE	1	S6
P62SPDL1	SPOOL	1	AC
P62TFMS6196	FLANGE	1	S6
P62URCCN51	CAGE	1	XL
P62URN51-1	UPPER ROD	1	XL
PRBDL108	BUSHING	1	AC
PRBDL116	BUSHING	1	AC
OPTUH196P	PISTON SEAL	1	UH/AF
ORHN0202	O RING	1	HN
ORHN0703	O RING	1	HN
ORHN9402	O RING	2	HN
P62MHGU4145	GASKET	1	UR
RRBS6220	SNAP RING	1	S6
RRSS6212	SNAP RING	2	S6
UCSUR1120804	U CUP	3	UR
UCSUR1201604	U CUP	1	UR
UCSUR1231904	U CUP	1	UR
UCSUR1322802	U CUP	1	UR

-- DO NOT SCALE DRAWING --

FOR REFERENCE ONLY CONTROLLED BY PDM			
		DWG. TITLE 6212 MOTOR ASSY DOUBLE ACTING	
REV.	ASSY #	SIZE	
015	P62MSA1	A	
DRAWING NUMBER			

MATERIAL CODES		
MATERIAL	CODE	Temperature (°C) Min/Max
304 Stainless Steel	S4	N/A
316 Stainless Steel	S6	N/A
17-4 PH Stainless Steel - HH 1150	S7	N/A
420 Stainless Steel	S0	N/A
5052 Aluminum	0	N/A
6061 Aluminum	A6	N/A
Acetal	AC	-40/149
AFLAS ®	AF	-
Buna-N ®	BU	-40/121
Ceramic - Everwear™	CE	N/A
Ceramic - NBD200™	CN	N/A
DELRIN	DL	-40/149
Duplex 2205	D4	N/A
Super Duplex 2507	D5	N/A
Elgiloy ®	EL	N/A
FKM	PF	-20/200
303 Stainless Steel	S3	N/A
FFKM	FK	-1/287
Hastelloy C276	HC	N/A
HNBR	HN	-52/149
Iron	FE	N/A
Low Carbon Steel	ST	N/A
Monel ®	MO	N/A
PVC	PV	Max +140
PEEK	PK	-73/288
Teflon ® - Bronze Filled	TB	-268/288
Teflon ® - Carbon Filled	TC	-268/288
Teflon ® - Glass Filled	TG	-268/288
Teflon ®- Mineral Filled	TM	-268/288
Teflon ® - Polyimide Filled	TP	-268/288
Teflon ® - Virgin Filled	TF	-268/232
Titanium	TI	N/A
Ultra High Molecular Weight Polyethylene (UHMWPE)	UH	-268/288
Urethane	UR	-53/104
Viton ®	VI	-23/232
XWL	XL	N/A