


PART NUMBER	Description	QTY.	Mat. Codes	Temp. Range
CSEATSS61425-1	SEAT	1	S6	NA
CBODYSS61425-1	BODY	1	S6	NA
COPN51425	POPPET	1	XL	NA
SPHVCKHC01	SPRING	1	HC	NA
ORPF0603	O-RING	1	PF	-29/204
ORPF1302	O-RING	1	PF	-29/204

KFM12S6Q201

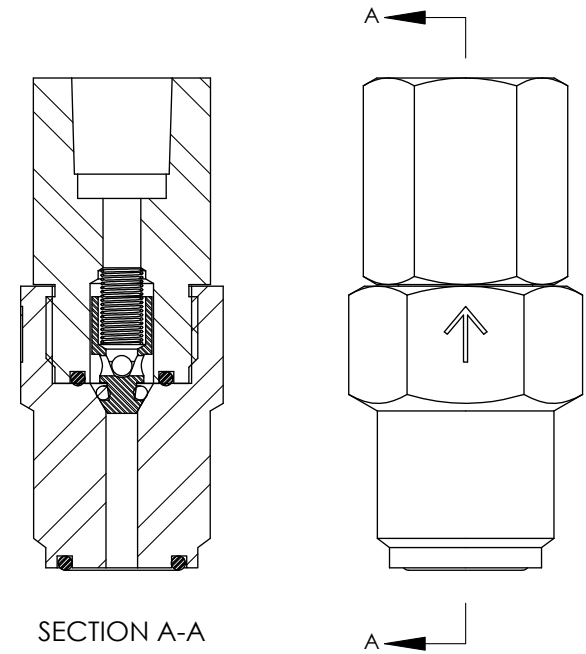
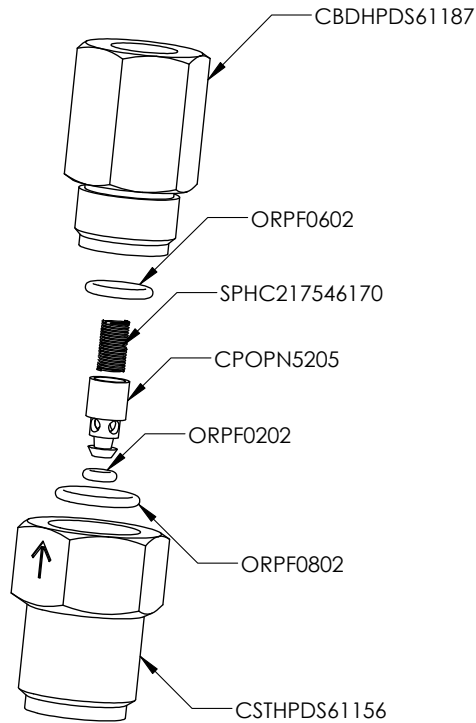
Call your CheckPoint representative about pre-assembled rebuild kits.
+1 (504) 340-0770
Check Valve Rebuild Kit - KFM12S6Q201- Contains both o-rings and spring

-- DO NOT SCALE DRAWING --

FOR REFERENCE ONLY CONTROLLED BY PDM		CheckPoint Pumps & Systems	
 <small>21356 MARION LANE MANDRVILLE, LA 70471 USA TEL 504.340.0770 -- FAX 888.217.6402</small>		DWG. TITLE SUCTION CHECK ASSEMBLY	
DRAWING NUMBER CSM12S6Q101			SIZE A


PROPRIETARY AND CONFIDENTIAL

THE INFORMATION CONTAINED HEREIN IS PROPRIETARY TO CHECKPOINT SYSTEMS AND SHALL NOT BE REPRODUCED OR DISCLOSED IN WHOLE OR IN PART OR USED FOR ANY PURPOSE EXCEPT WHEN SUCH USER POSSESSES DIRECT WRITTEN AUTHORIZATION FROM CHECKPOINT SYSTEMS



Call your CheckPoint representative about pre-assembled rebuild kits.
+1 (504) 340-0770
Check Valve Rebuild Kit - KFF04S6Q301

-- DO NOT SCALE DRAWING --

FOR REFERENCE ONLY CONTROLLED BY PDM		CheckPoint Pumps & Systems	
		DWG. TITLE DISCHARGE CHECK ASSEMBLY	
21356 MARION LANE MANDRILLE, LA 70471 USA TEL 504.340.0770 -- FAX 888.217.6402		DRAWING NUMBER CDF04S6Q101	SIZE A


PROPRIETARY AND CONFIDENTIAL
THE INFORMATION CONTAINED HEREIN IS PROPRIETARY TO CHECKPOINT SYSTEMS AND SHALL NOT BE REPRODUCED OR DISCLOSED IN WHOLE OR IN PART OR USED FOR ANY PURPOSE EXCEPT WHEN SUCH USER POSSESSES DIRECT WRITTEN AUTHORIZATION FROM CHECKPOINT SYSTEMS

Part Number	Description	QTY.	Mat. Codes	Temp. Range
CSTHPDN51156	SEAT	1	N5	NA
CBDHPDS61187	BODY	1	S6	NA
CPOPS6205	POPPET	1	S6	NA
SPHC217546170	SPRING	1	HC	NA
ORPF0602	O-RING	1	PF	-29/204
ORPF0802	O-RING	1	PF	-29/204
ORPF0202	O-RING	1	PF	-29/204

KFF04S6Q301

Call your CheckPoint representative about pre-assembled rebuild kits.
+1 (504) 340-0770
Check Valve Rebuild Kit - KFF04S6Q301- Contains o-rings and spring

-- DO NOT SCALE DRAWING --

FOR REFERENCE ONLY CONTROLLED BY PDM		CheckPoint Pumps & Systems	
		DWG. TITLE DISCHARGE CHECK ASSEMBLY	
21356 MARION LANE MANDRVILLE, LA 70471 USA TEL 504.340.0770 -- FAX 888.217.6402		CZF04S6Q101	
DRAWING NUMBER		SIZE A	

PROPRIETARY AND CONFIDENTIAL

THE INFORMATION CONTAINED HEREIN IS PROPRIETARY TO CHECKPOINT SYSTEMS AND SHALL NOT BE REPRODUCED OR DISCLOSED IN WHOLE OR IN PART OR USED FOR ANY PURPOSE EXCEPT WHEN SUCH USER POSSESSES DIRECT WRITTEN AUTHORIZATION FROM CHECKPOINT SYSTEMS