

**PUMP CUTAWAYS AND DRAWINGS**

On the following pages are external and internal pump drawings with part numbers and material codes.  
The following table identifies each material code.

MATERIAL CODES	
303 Stainless Steel	S3
304 Stainless Steel	S4
316 Stainless Steel	S6
17-4 PH Stainless Steel - HH 1150	S7
420 Stainless Steel	S0
6061 Aluminum	A6
Acetal	AC
Aflas®	AF
Buna-N®	BU
Ceramic - EverWear™	CE
Ceramic - NBD200™	CN
Delrin®	DL
Duplex 2205	D4
Super Duplex 2507	D5
Elgiloy®	EL
FKM	PF
FFKM	FK
Hastelloy® C276	HC
HNBR	HN
Iron	FE
Low carbon steel	ST
Monel®	MO
PVC	PV
PEEK	PK
Teflon® - Bronze Filled	TB
Teflon® - Carbon Filled	TC
Teflon® - Glass Filled	TG
Teflon® - Mica Filled	TM
Teflon® - Polyimide Filled	TP
Teflon® - Virgin	TF
Titanium	TI
Ultra High Molecular Weight Polyethylene (UHMWPE)	UH
Urethane	UR
Viton®	VI
XWL	XL

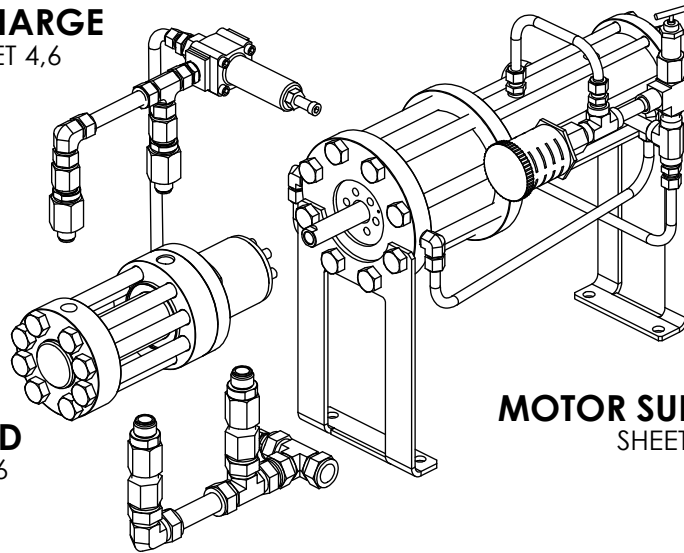
Call your CheckPoint representative  
about pre-assembled rebuild kits  
+1 (504) 340-0770

**DISCHARGE**  
SHEET 4,6

**WET END**  
SHEET 3,6

**SUCTION**  
SHEET 5,6

**MOTOR SUB ASSEMBLY**  
SHEETS 7-13



-- DO NOT SCALE DRAWING --

FOR REFERENCE ONLY  
CONTROLLED BY PDM



**CheckPoint**  
Pumps & Systems

DWG. TITLE  
5428 PUMP ASSY - 1 3/4"  
Double Acting - Ceramic

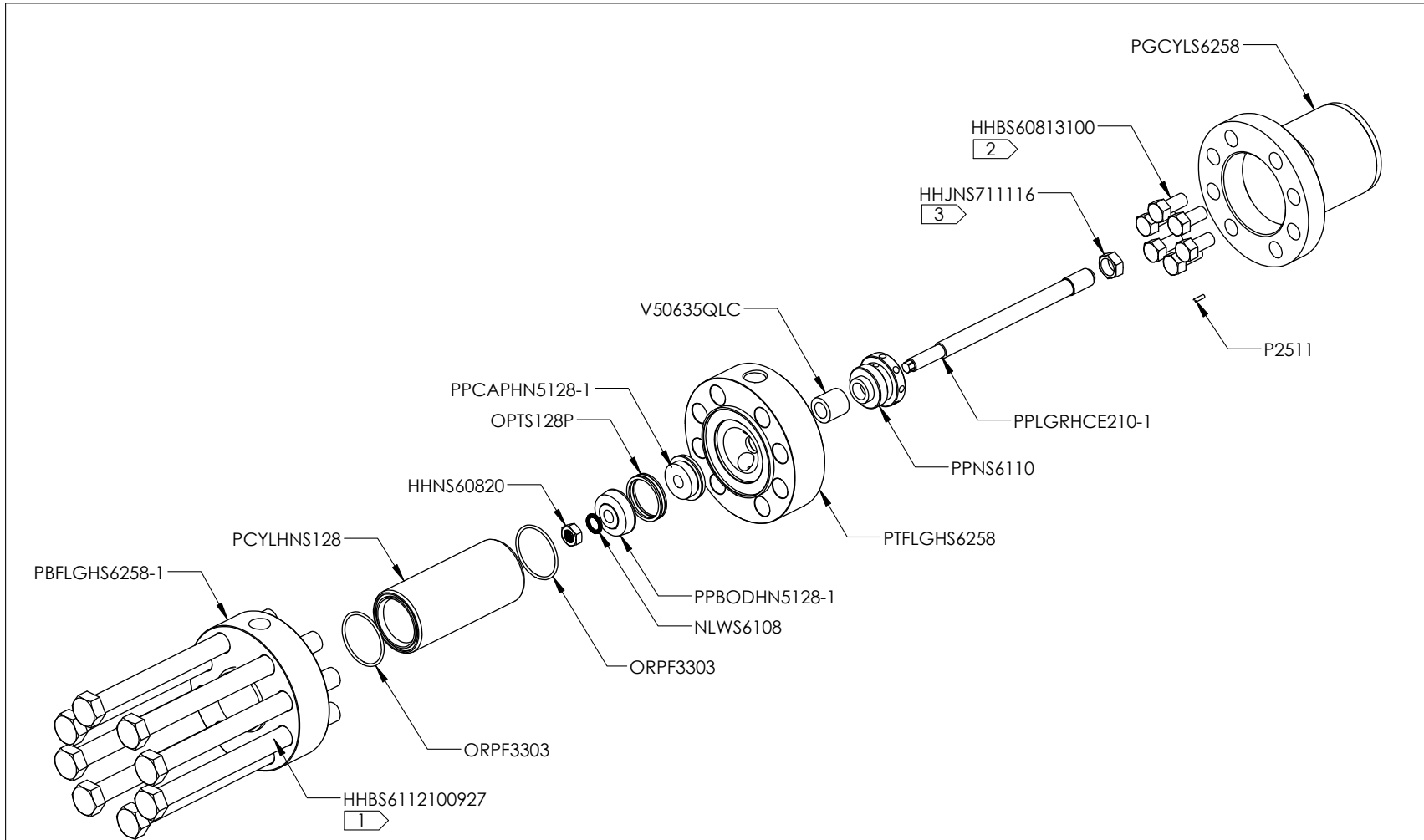
P5428CNQ3

SIZE  
A

DRAWING NUMBER

PROPRIETARY AND CONFIDENTIAL

THE INFORMATION CONTAINED HEREIN IS PROPRIETARY TO CHECKPOINT SYSTEMS AND SHALL NOT BE REPRODUCED OR DISCLOSED IN WHOLE OR IN PART OR USED FOR ANY PURPOSE EXCEPT WHEN SUCH USER POSSESSES DIRECT WRITTEN AUTHORIZATION FROM CHECKPOINT SYSTEMS



- 1 TORQUE BOLTS TO 200 ft-lbs
- 2 TORQUE BOLTS TO 60 ft-lbs
- 3 TORQUE NUT TO 41 ft-lbs

-- DO NOT SCALE DRAWING --

FOR REFERENCE ONLY  
CONTROLLED BY PDM



**CheckPoint**  
Pumps & Systems

DWG. TITLE  
5428 PUMP ASSY - 1 3/4"  
Double Acting - Ceramic

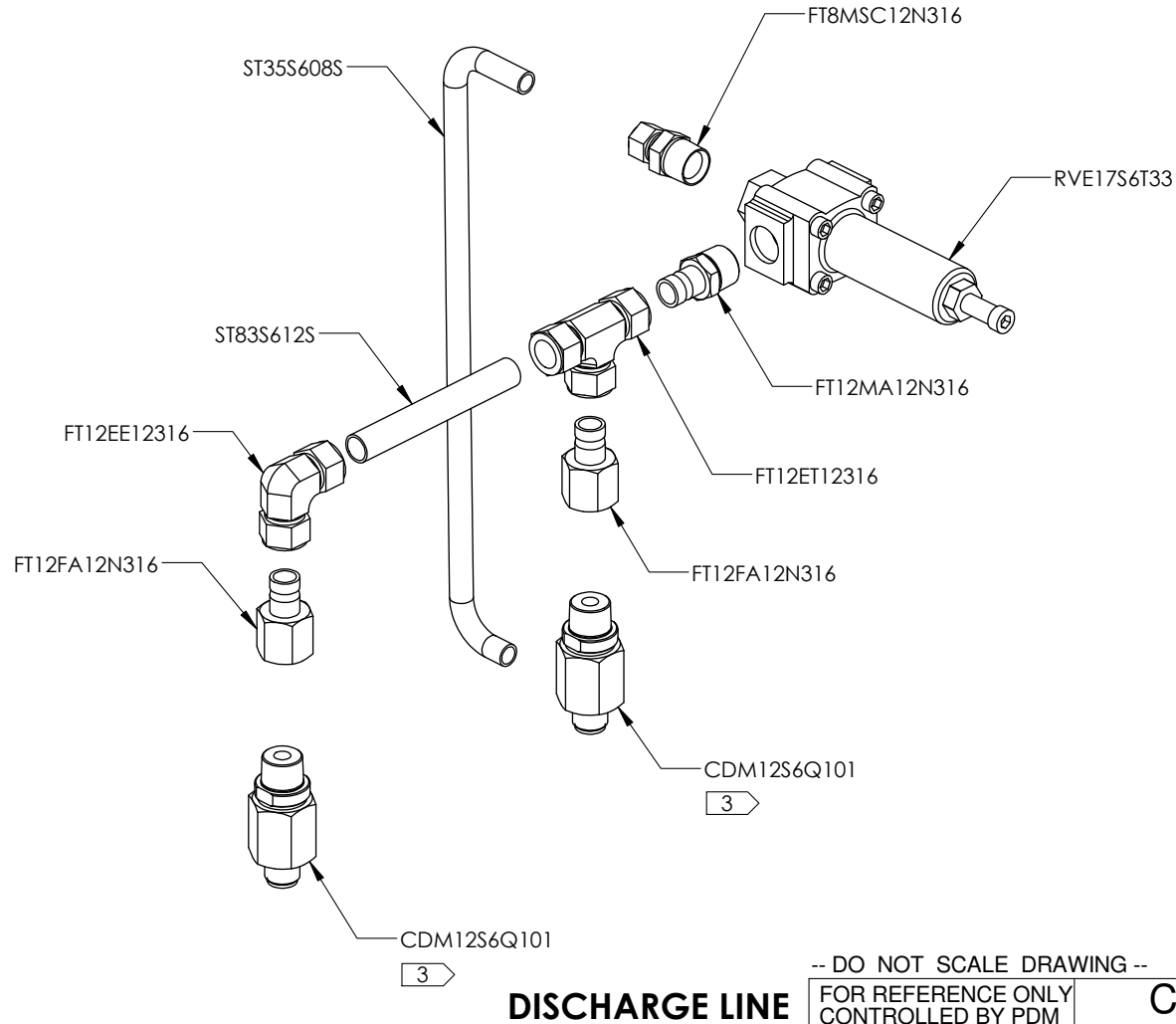
P5428CNQ3

SIZE  
A

DRAWING NUMBER

PROPRIETARY AND CONFIDENTIAL

THE INFORMATION CONTAINED HEREIN IS PROPRIETARY TO CHECKPOINT SYSTEMS AND SHALL NOT BE REPRODUCED OR DISCLOSED IN WHOLE OR IN PART OR USED FOR ANY PURPOSE EXCEPT WHEN SUCH USER POSSESSES DIRECT WRITTEN AUTHORIZATION FROM CHECKPOINT SYSTEMS



**DISCHARGE LINE**

-- DO NOT SCALE DRAWING --

FOR REFERENCE ONLY  
CONTROLLED BY PDM



**CheckPoint**  
Pumps & Systems

DWG. TITLE  
5428 PUMP ASSY - 1 3/4"  
Double Acting - Ceramic

P5428CNQ3

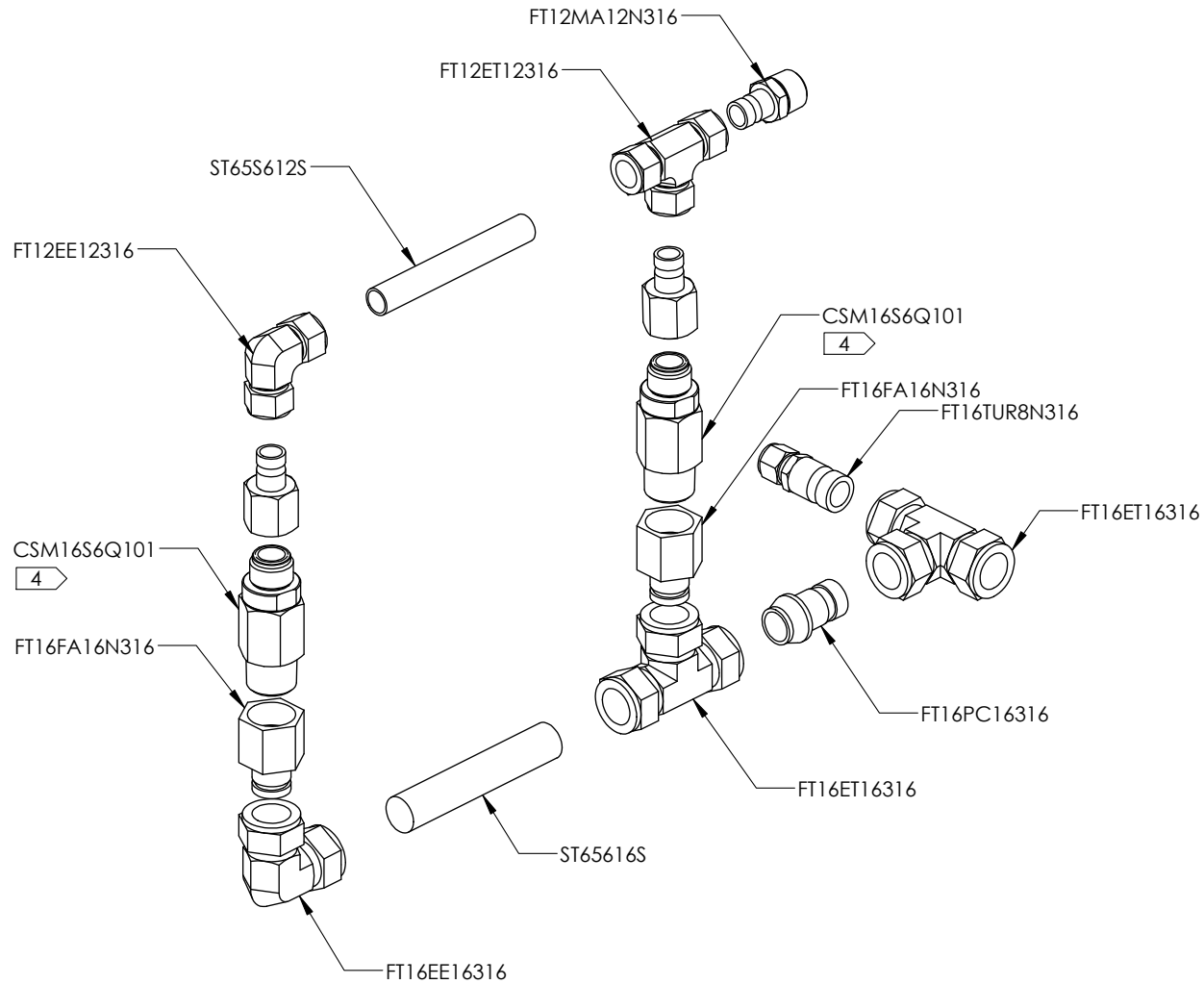
SIZE  
**A**

DRAWING NUMBER

3 TORQUE CHECK ASSEMBLY TO 200 ft-lbs

PROPRIETARY AND CONFIDENTIAL

THE INFORMATION CONTAINED HEREIN IS PROPRIETARY TO CHECKPOINT SYSTEMS AND SHALL NOT BE REPRODUCED OR DISCLOSED IN WHOLE OR IN PART OR USED FOR ANY PURPOSE EXCEPT WHEN SUCH USER POSSESSES DIRECT WRITTEN AUTHORIZATION FROM CHECKPOINT SYSTEMS



**SUCTION LINE**

4 TORQUE CHECK ASSY TO 200 ft-lbs

PROPRIETARY AND CONFIDENTIAL

THE INFORMATION CONTAINED HEREIN IS PROPRIETARY TO CHECKPOINT SYSTEMS AND SHALL NOT BE REPRODUCED OR DISCLOSED IN WHOLE OR IN PART OR USED FOR ANY PURPOSE EXCEPT WHEN SUCH USER POSSESSES DIRECT WRITTEN AUTHORIZATION FROM CHECKPOINT SYSTEMS

-- DO NOT SCALE DRAWING --

FOR REFERENCE ONLY  
CONTROLLED BY PDM



**CheckPoint**  
Pumps & Systems

DWG. TITLE  
5428 PUMP ASSY - 1 3/4"  
Double Acting - Ceramic

P5428CNQ3


SIZE  
A

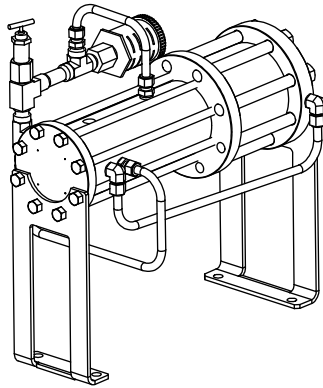
DRAWING NUMBER

PART NUMBER	DESCRIPTION	QTY.	Mat. Codes	Temp. Range
PGCYLS6258	Guard Cylinder	1	S6	NA
HHBS60813100	BOLT - GUARD CYLINDER	6	S6	NA
P2511	ALIGNMENT PIN	1	S0	NA
PTFLGHS6258	TOP FLANGE - HEAD	1	S6	NA
PCYLHNS128	CYLINDER HEAD	1	XL	NA
PPLGRHCE210-1	PLUNGER ROD	1	CE	NA
PPCAPHN5128-1	PISTON CAP	1	XL	NA
PPBODHN5128-1	PISTON BODY	1	CE	NA
HHNS60820	JAM NUT	1	S6	NA
PPNS6110	PACKING NUT	1	S6	NA
PBFLGHS6258-1	BOTTOM FLANGE - HEAD	1	S6	NA
V50635QLC	PACKING	1	PF/TM/PK	-29/204, -268/288, -73/288
OPTS128P	OPTIRING	1	PF/PK/TC	-29/204, -268/288, -73/288
ORPF3303	O-RING	2	PF	-29/204
NLWS6108	LOCK WASHER	1	S6	NA
HHBS6112100927	BOLT - HEAD	8	S6	NA
RVE17S6T33	RELIEF VALVE	1	S6	NA
CDM12S6Q101	DISCHARGE CHECK	2	S6/PF	NA
CSM16S6Q101	SUCTION CHECK	2	S6/PF	-29/204
HHJNS711116	JAM NUT	1	S7	NA
FT12EE12316	ELBOW	1	S6	NA
FT12ET12316	TEE	1	S6	NA
FT12MA12N316	ADAPTER	1	S6	NA
ST83S612S	3/4" X 0.083 316SS TUBE	1	S6	NA
ST35S608S	1/2" X 0.035 316SS TUBE	1	S6	NA
ST65S616S	1" X 0.065 316SS TUBE	1	S6	NA
FT8MSC12N316	CONNECTOR	1	S6	NA
FT12FA12N316	ADAPTER	2	S6	NA
FT16FA16N316	ADAPTER	2	S6	NA
FT16PC16316	PORT CONNECTOR	1	S6	NA
FT16EE1631	ELBOW	1	S6	NA
FT16ET16316	TEE	2	S6	NA
FT16TUR8N316	REDUCER	1	S6	NA

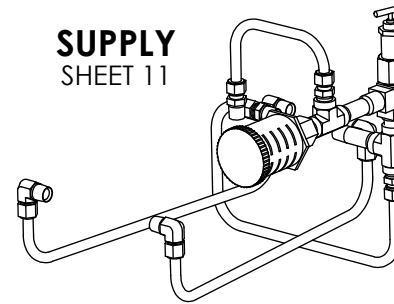
Call your CheckPoint representative about pre-assembled rebuild kits.  
+1 (504) 340-0770  
Head Rebuild Kit - K58HRK128

-- DO NOT SCALE DRAWING --

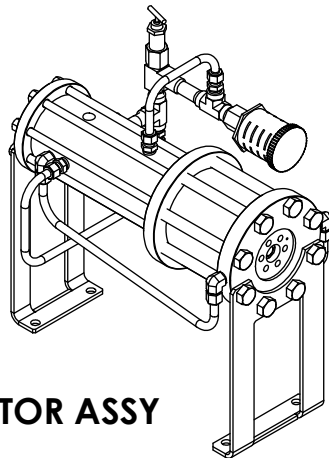
FOR REFERENCE ONLY CONTROLLED BY PDM		<b>CheckPoint</b> Pumps & Systems	
		DWG. TITLE <b>5428 PUMP ASSY - 1 3/4"</b> <b>Double Acting - Ceramic</b>	
PROPRIETARY AND CONFIDENTIAL <small>THE INFORMATION CONTAINED HEREIN IS PROPRIETARY TO CHECKPOINT SYSTEMS AND SHALL NOT BE REPRODUCED OR DISCLOSED IN WHOLE OR IN PART OR USED FOR ANY PURPOSE EXCEPT WHEN SUCH USER POSSESSES DIRECT WRITTEN AUTHORIZATION FROM CHECKPOINT SYSTEMS</small>		<b>P5428CNQ3</b> <small>DRAWING NUMBER</small>	
		<small>SIZE</small> <b>A</b>	



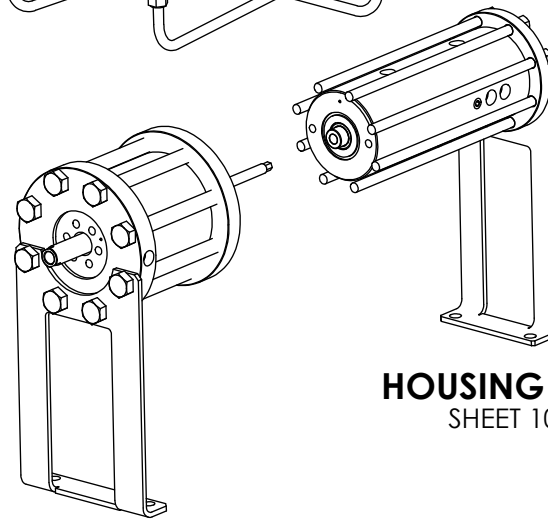
**MOTOR ASSY**



**SUPPLY**  
SHEET 11



**CYLINDER END**  
SHEET 9



**HOUSING END**  
SHEET 10

-- DO NOT SCALE DRAWING --

FOR REFERENCE ONLY  
CONTROLLED BY PDM



21356 MARION LANE  
MANDRILLE, LA 70471 USA  
TEL 504.340.0770 -- FAX 888.217.6402

**CheckPoint**  
Pumps & Systems

DWG. TITLE  
MOTOR SUB-ASSY 5400

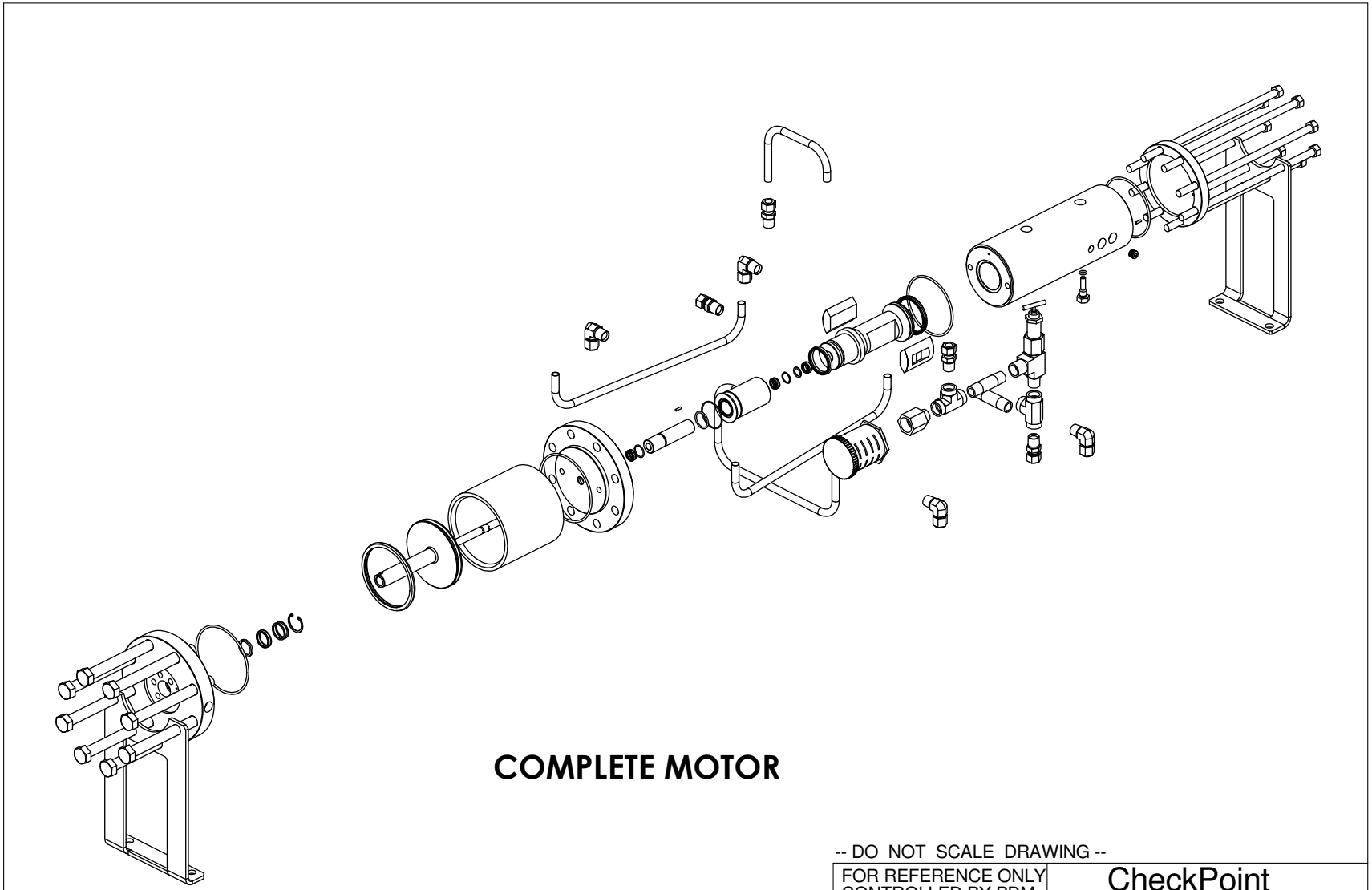
P54MSA1

DRAWING NUMBER

SIZE  
A



PROPRIETARY AND CONFIDENTIAL

THE INFORMATION CONTAINED HEREIN IS PROPRIETARY TO CHECKPOINT SYSTEMS AND SHALL NOT BE REPRODUCED OR DISCLOSED IN WHOLE OR IN PART OR USED FOR ANY PURPOSE EXCEPT WHEN SUCH USER POSSESSES DIRECT WRITTEN AUTHORIZATION FROM CHECKPOINT SYSTEMS



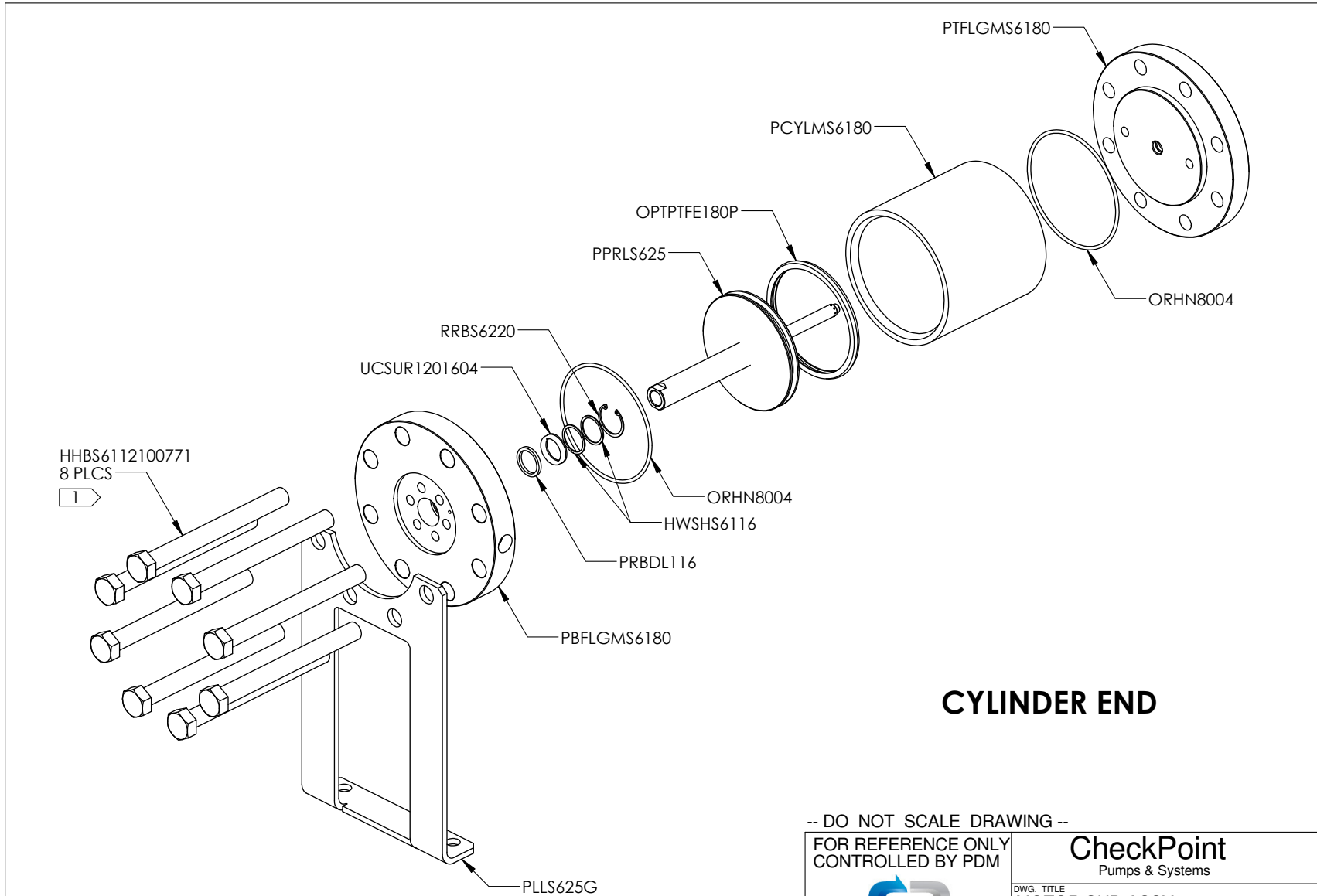
**COMPLETE MOTOR**

-- DO NOT SCALE DRAWING --

FOR REFERENCE ONLY CONTROLLED BY PDM		 <b>CheckPoint</b> Pumps & Systems	
 <small>21356 MARION LANE          MONROEVILLE, LA 70571 USA          TEL 504.340.0770 -- FAX 888.217.6402</small>		DWG. TITLE <b>MOTOR SUB-ASSY 5400</b>	
		<b>P54MSA1</b> <small>DRAWING NUMBER</small>	SIZE <b>A</b>

**PROPRIETARY AND CONFIDENTIAL**  
 THE INFORMATION CONTAINED HEREIN IS PROPRIETARY TO CHECKPOINT SYSTEMS AND SHALL NOT BE REPRODUCED OR DISCLOSED IN WHOLE OR IN PART OR USED FOR ANY PURPOSE EXCEPT WHEN SUCH USER POSSESSES DIRECT WRITTEN AUTHORIZATION FROM CHECKPOINT SYSTEMS





**CYLINDER END**

-- DO NOT SCALE DRAWING --

FOR REFERENCE ONLY  
CONTROLLED BY PDM



21356 MARION LANE  
MANDRILLE, LA 70471 USA  
TEL 504.340.0770 -- FAX 888.217.6402

**CheckPoint**  
Pumps & Systems

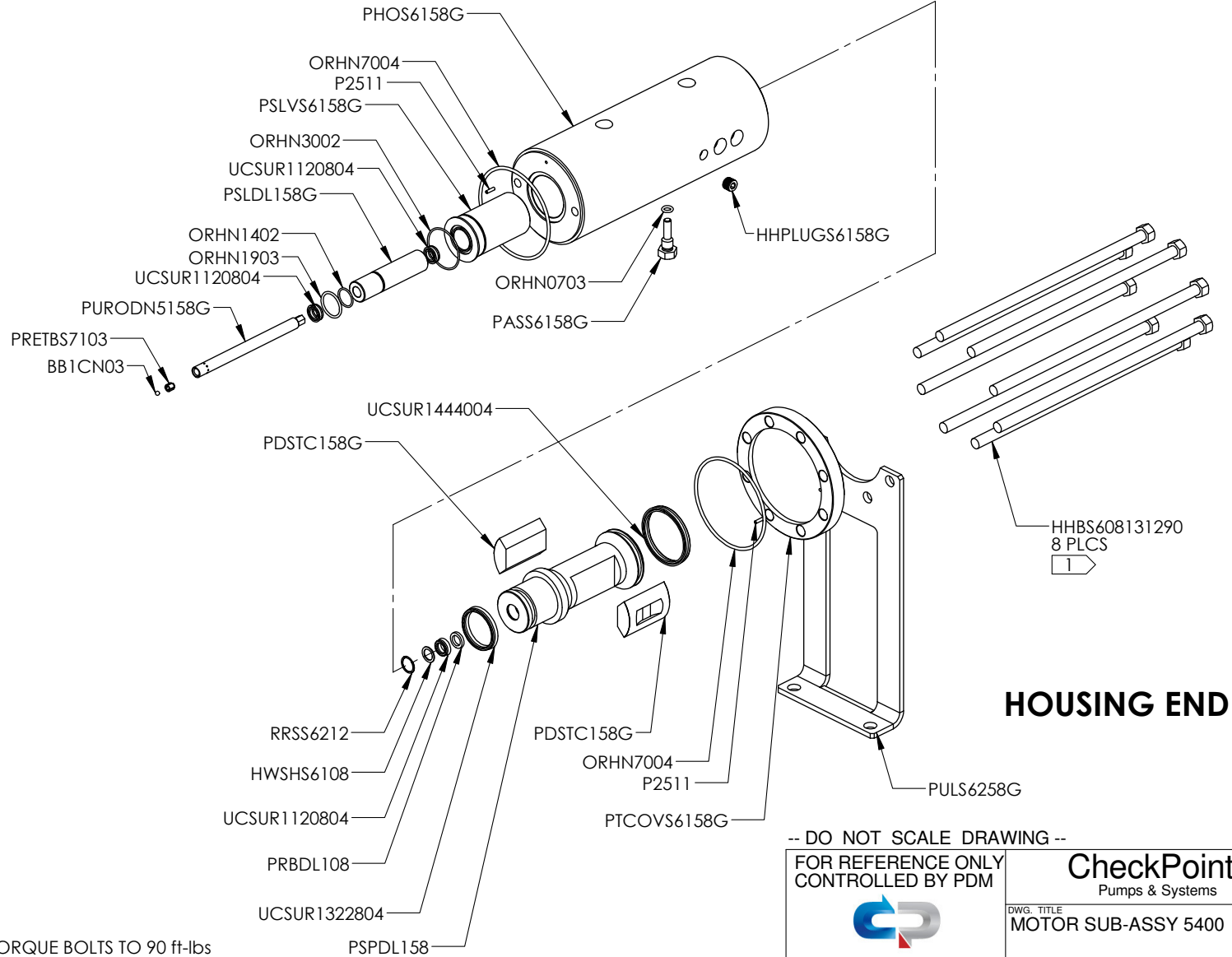
DWG. TITLE  
MOTOR SUB-ASSY 5400

P54MSA1	SIZE A
DRAWING NUMBER	

1 TORQUE BOLTS TO 200 ft-lbf

PROPRIETARY AND CONFIDENTIAL

THE INFORMATION CONTAINED HEREIN IS PROPRIETARY TO CHECKPOINT SYSTEMS AND SHALL NOT BE REPRODUCED OR DISCLOSED IN WHOLE OR IN PART OR USED FOR ANY PURPOSE EXCEPT WHEN SUCH USER POSSESSES DIRECT WRITTEN AUTHORIZATION FROM CHECKPOINT SYSTEMS



**HOUSING END**

-- DO NOT SCALE DRAWING --

FOR REFERENCE ONLY  
CONTROLLED BY PDM



**CheckPoint**  
Pumps & Systems

DWG. TITLE  
MOTOR SUB-ASSY 5400

P54MSA1

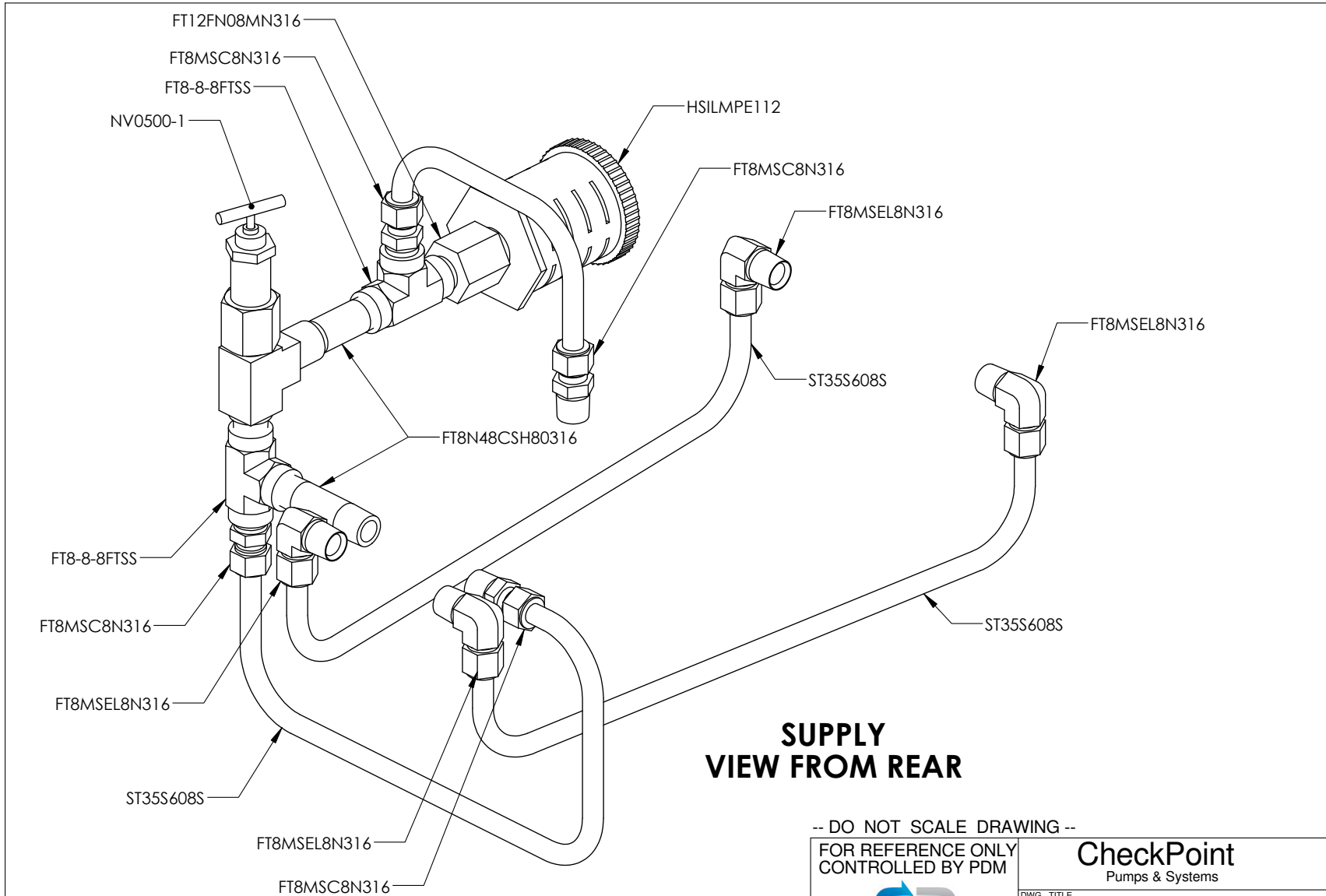
DRAWING NUMBER

SIZE  
**A**

1 TORQUE BOLTS TO 90 ft-lbs

PROPRIETARY AND CONFIDENTIAL

THE INFORMATION CONTAINED HEREIN IS PROPRIETARY TO CHECKPOINT SYSTEMS AND SHALL NOT BE REPRODUCED OR DISCLOSED IN WHOLE OR IN PART OR USED FOR ANY PURPOSE EXCEPT WHEN SUCH USER POSSESSES DIRECT WRITTEN AUTHORIZATION FROM CHECKPOINT SYSTEMS



**SUPPLY  
VIEW FROM REAR**

-- DO NOT SCALE DRAWING --

FOR REFERENCE ONLY  
CONTROLLED BY PDM



**CheckPoint**  
Pumps & Systems

DWG. TITLE  
MOTOR SUB-ASSY 5400

P54MSA1

DRAWING NUMBER


SIZE  
**A**

PROPRIETARY AND CONFIDENTIAL

THE INFORMATION CONTAINED HEREIN IS PROPRIETARY TO CHECKPOINT SYSTEMS AND SHALL NOT BE REPRODUCED OR DISCLOSED IN WHOLE OR IN PART OR USED FOR ANY PURPOSE EXCEPT WHEN SUCH USER POSSESSES DIRECT WRITTEN AUTHORIZATION FROM CHECKPOINT SYSTEMS

PART NUMBER	DESCRIPTION	QTY.	Mat. Codes	Temp. Range
NV0500-1	NEEDLE VALVE ASSEMBLY	1	S6	NA
PASS6158G	ALIGNMENT SCREW	1	S6	NA
PHOS6158G	HOUSING	1	S6	NA
P2511	ALIGNMENT PIN	2	S0	NA
PBFLGMS6180	BOTTOM FLANGE	1	S6	NA
PCYLMS6180	CYLINDER MOTOR	1	S6	NA
PTCOVS6158G	TOP COVER	1	S6	NA
PSLVS6158G	SLEEVE	1	S6	NA
PSPDL158	SPOOL	1	DL	-40/121
PDSTC158G	D SLIDE	2	TC	-268/288
PSLDL158G	SPACER SLEEVE	1	DL	-40/120
PURODN5158G	UPPER ROD	1	XL	NA
PRETBS7103	RETAINER	1	S7	NA
BB1CN03	CERAMIC BALL	1	CN	NA
PPRLS625	PISTON ROD	1	S6	NA
HHBS608131290	BOLT	8	S6	NA
HHBS6112100771	BOLT	8	S6	NA
PTFLGMS6180	TOP FLANGE	1	S6	NA
PULS6258G	UPPER LEG	1	S6	NA
PLLS625G	LOWER LEG	1	S6	NA

-- DO NOT SCALE DRAWING --

FOR REFERENCE ONLY CONTROLLED BY PDM		<b>CheckPoint</b> Pumps & Systems	
 <small>CHECKPOINT PUMPS &amp; SYSTEMS 21366 MARION LANE MANDOVILLE, LA 70471 USA TEL 504.340.0770 -- FAX 888.217.6402</small>		DWG. TITLE MOTOR SUB-ASSY 5400	
P54MSA1			SIZE <b>A</b>
DRAWING NUMBER			

**PROPRIETARY AND CONFIDENTIAL**



THE INFORMATION CONTAINED HEREIN IS PROPRIETARY TO CHECKPOINT SYSTEMS AND SHALL NOT BE REPRODUCED OR DISCLOSED IN WHOLE OR IN PART OR USED FOR ANY PURPOSE EXCEPT WHEN SUCH USER POSSESSES DIRECT WRITTEN AUTHORIZATION FROM CHECKPOINT SYSTEMS

PART NUMBER	DESCRIPTION	QTY.	Mat. Codes	TEMP. Range
UCSUR1444004	U-CUP SEAL	1	UR	-40/100
UCSUR1322804	U-CUP SEAL	1	UR	-40/100
UCSUR1201604	U-CUP SEAL	1	UR	-40/100
UCSUR1120804	U-CUP SEAL	3	UR	-40/100
OPTPTFE180P	PISTON SEAL	1	TM/AF	-268/288, 10/200
ORHN7004	O-RING	2	HN	-29/160
ORHN8004	O-RING	2	HN	-29/160
ORHN0703	O-RING	1	HN	-29/160
ORHN1903	O-RING	1	HN	-29/160
ORHN3002	O-RING	1	HN	-29/160
ORHN1402	O-RING	1	HN	-29/160
PRBDL116	BUSHING	1	DL	-40/121
PRBDL108	BUSHING	1	DL	-268/288
RRSS6212	SNAP RING	1	S6	NA
RRBS6220	SNAP RING	1	S6	NA
HWSHS6116	FLAT WASHER	2	S6	NA
HWSHS6108	FLAT WASHER	1	S6	NA
HSILMPE112	MUFFLER	1	NA	NA
HHPLUGS6158G	PLUG	1	S7	NA
FT8MSEL8N316	ELBOW	4	S6	NA
FT8MSC8N316	CONNECTOR	4	S6	NA
FT8N48SCH80316	NIPPLE	2	S6	NA
FT8-8-8FT-SS	TEE	2	S6	NA
FT12FN08MN316	ADAPTER	1	S6	NA

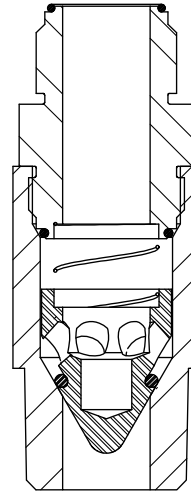
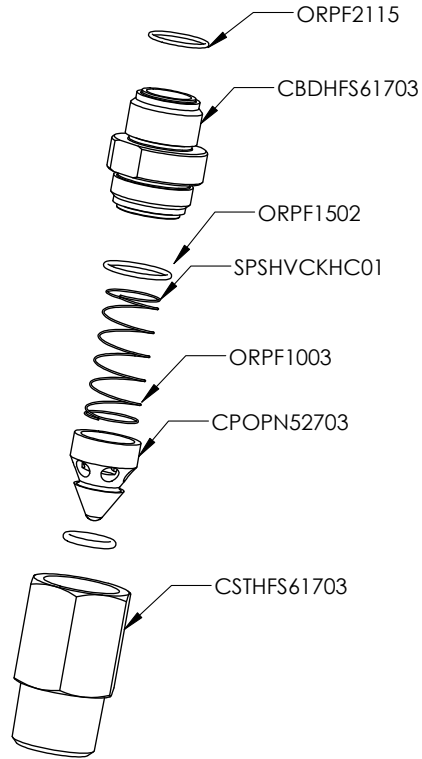
**K54MRU**

Call your CheckPoint representative about pre-assembled rebuild kits. +1 (504) 340-0770  
**Motor Rebuild Kit - K54MRU** - Contains all seals in the motor (air) end of the 5428 series pump.

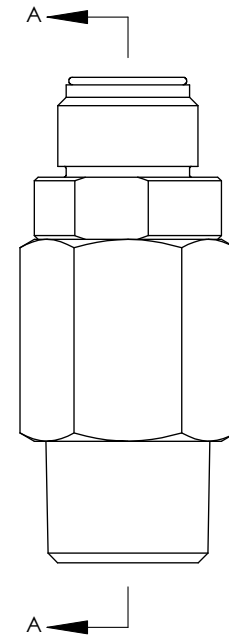
-- DO NOT SCALE DRAWING --

FOR REFERENCE ONLY CONTROLLED BY PDM		 <b>CheckPoint</b> Pumps & Systems	
 <small>21356 MARION LANE          MONROEVILLE, LA 70571 USA          TEL 504.340.0770 -- FAX 888.217.6402</small>		DWG. TITLE <b>MOTOR SUB-ASSY 5400</b>	
		<b>P54MSA1</b> <small>DRAWING NUMBER</small>	SIZE <b>A</b>

**PROPRIETARY AND CONFIDENTIAL**  
 THE INFORMATION CONTAINED HEREIN IS PROPRIETARY TO CHECKPOINT SYSTEMS AND SHALL NOT BE REPRODUCED OR DISCLOSED IN WHOLE OR IN PART OR USED FOR ANY PURPOSE EXCEPT WHEN SUCH USER POSSESSES DIRECT WRITTEN AUTHORIZATION FROM CHECKPOINT SYSTEMS



SECTION A-A



Call your CheckPoint representative about pre-assembled rebuild kits.  
+1 (504) 340-0770  
Check Valve Rebuild Kit - KFM16S6Q105

-- DO NOT SCALE DRAWING --

FOR REFERENCE ONLY  
CONTROLLED BY PDM



**CheckPoint**  
Pumps & Systems

DWG. TITLE  
SUCTION CHECK ASSEMBLY

CSM16S6Q101

SIZE  
A

DRAWING NUMBER

PROPRIETARY AND CONFIDENTIAL


THE INFORMATION CONTAINED HEREIN IS PROPRIETARY TO CHECKPOINT SYSTEMS AND SHALL NOT BE REPRODUCED OR DISCLOSED IN WHOLE OR IN PART OR USED FOR ANY PURPOSE EXCEPT WHEN SUCH USER POSSESSES DIRECT WRITTEN AUTHORIZATION FROM CHECKPOINT SYSTEMS

PART NUMBER	DESCRIPTION	QTY.	Mat. Codes	Temp. Range
CSTHFS61703	SEAT	1	S6	NA
CBDHFS61703	BODY	1	S6	NA
CPOPN52703	POPPET	1	XL	NA
SPSHVCKHC01	SPRING	1	HC	NA
ORPF1003	O-RING	1	PF	-29/204
ORPF1502	O-RING	1	PF	-29/204
ORPF2115	O-RING	1	PF	-29/204

**KFM16S6Q105**

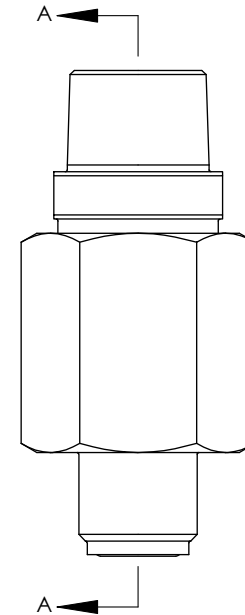
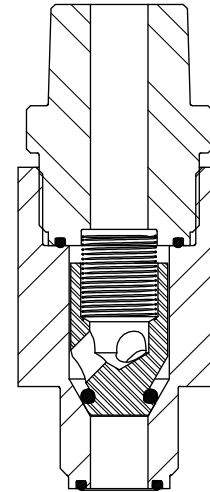
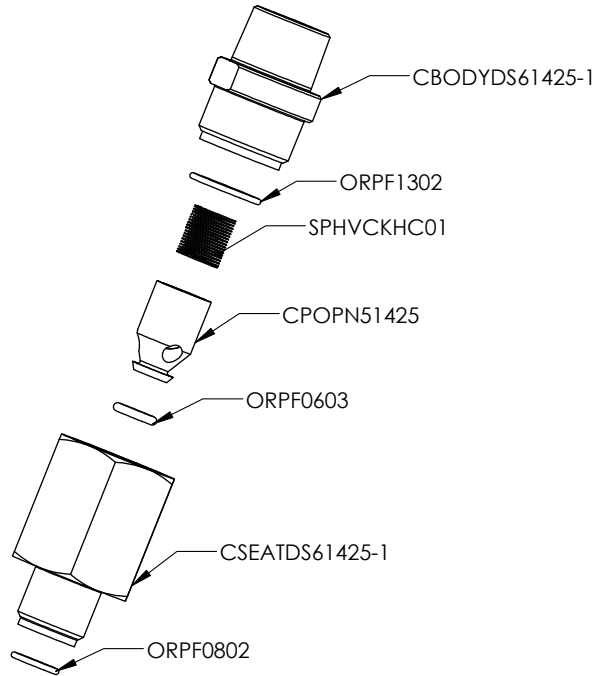
Call your CheckPoint representative about pre-assembled rebuild kits.  
+1 (504) 340-0770  
Check Valve Rebuild Kit - KFM16S6Q105 - Contains all o-rings and spring

-- DO NOT SCALE DRAWING --

FOR REFERENCE ONLY CONTROLLED BY PDM		<b>Checkpoint</b> Pumps & Systems	
		DWG. TITLE SUCTION CHECK ASSEMBLY	
<b>CHECKPOINT</b> PUMPS & SYSTEMS <small>21356 MARION LANE MANDÉVILLE, LA 70471 USA TEL 504.340.0770 -- FAX 888.217.6402</small>		CDSM16S6Q101	SIZE <b>A</b>
		DRAWING NUMBER	

PROPRIETARY AND CONFIDENTIAL

THE INFORMATION CONTAINED HEREIN IS PROPRIETARY TO CHECKPOINT SYSTEMS AND SHALL NOT BE REPRODUCED OR DISCLOSED IN WHOLE OR IN PART OR USED FOR ANY PURPOSE EXCEPT WHEN SUCH USER POSSESSES DIRECT WRITTEN AUTHORIZATION FROM CHECKPOINT SYSTEMS



Call your CheckPoint representative about pre-assembled rebuild kits.  
+1 (504) 340-0770  
Check Valve Rebuild Kit - KFM12S6Q201

-- DO NOT SCALE DRAWING --

FOR REFERENCE ONLY  
CONTROLLED BY PDM



21356 MARION LANE  
MANDRILLE, LA 70471 USA  
TEL 504.340.0770 -- FAX 888.217.6402

**CheckPoint**  
Pumps & Systems

DWG. TITLE  
DISCHARGE CHECK ASSEMBLY

CDM12S6Q101

SIZE  
A

DRAWING NUMBER

PROPRIETARY AND CONFIDENTIAL

THE INFORMATION CONTAINED HEREIN IS PROPRIETARY TO CHECKPOINT SYSTEMS AND SHALL NOT BE REPRODUCED OR DISCLOSED IN WHOLE OR IN PART OR USED FOR ANY PURPOSE EXCEPT WHEN SUCH USER POSSESSES DIRECT WRITTEN AUTHORIZATION FROM CHECKPOINT SYSTEMS




PART NUMBER	DESCRIPTION	QTY.	Mat. Codes	Temp. Range
CSEATDS61425-1	SEAT	1	S6	NA
CBODYDS61425-1	BODY	1	S6	NA
CPOPN51425	POPPET	1	XL	NA
SPHVCKHC01	SPRING	1	HC	NA
ORPF0802	O-RING	1	PF	-29/204
ORPF0603	O-RING	1	PF	-29/204
ORPF1302	O-RING	1	PF	-29/204

**KFM12S6Q201**

Call your CheckPoint representative about pre-assembled rebuild kits.  
+1 (504) 340-0770  
Check Valve Rebuild Kit - KFM12S6Q201 - Contains all o-rings and spring

-- DO NOT SCALE DRAWING --

FOR REFERENCE ONLY CONTROLLED BY PDM   <small>21356 MARION LANE MANDEVILLE, LA 70471 USA TEL 504.340.0770 -- FAX 888.217.6402</small>	<b>CheckPoint</b> Pumps & Systems	
	DWG. TITLE <b>DISCHARGE CHECK ASSEMBLY</b>	
<b>CDM12S6Q101</b>		SIZE <b>A</b>
DRAWING NUMBER		

**PROPRIETARY AND CONFIDENTIAL**  
 THE INFORMATION CONTAINED HEREIN IS PROPRIETARY TO CHECKPOINT SYSTEMS AND SHALL NOT BE REPRODUCED OR DISCLOSED IN WHOLE OR IN PART OR USED FOR ANY PUPOSE EXCEPT WHEN SUCH USER POSSESSES DIRECT WRITTEN AUTHORIZATION FROM CHECKPOINT SYSTEMS