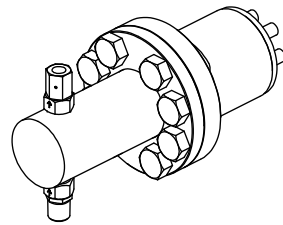


PUMP CUTAWAYS AND DRAWINGS

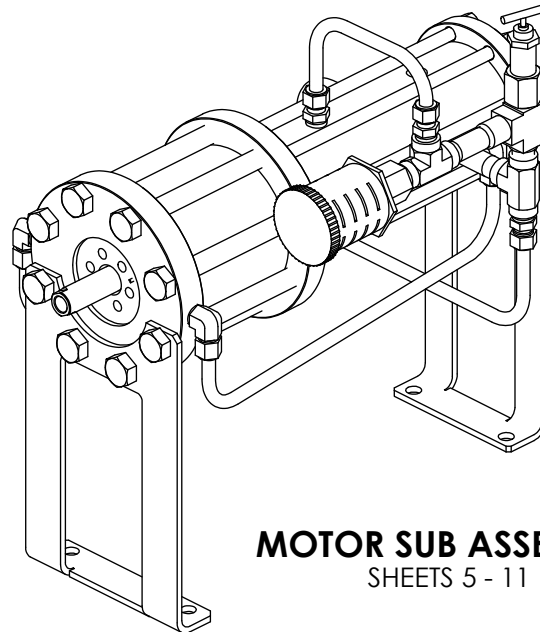
On the following pages are external and internal pump drawings with part numbers and material codes.
The following table identifies each material code.

MATERIAL CODES	
303 Stainless Steel	S3
304 Stainless Steel	S4
316 Stainless Steel	S6
17-4 PH Stainless Steel - HH 1150	S7
420 Stainless Steel	S0
6061 Aluminum	A6
Acetal	AC
Aflas®	AF
Buna-N®	BU
Ceramic - EverWear™	CE
Ceramic - NBD200™	CN
Delrin®	DL
Duplex 2205	D4
Super Duplex 2507	D5
Elgiloy®	EL
FKM	PF
FFKM	FK
Hastelloy® C276	HC
HNBR	HN
Iron	FE
Low carbon steel	ST
Monel®	MO
PVC	PV
PEEK	PK
Teflon® - Bronze Filled	TB
Teflon® - Carbon Filled	TC
Teflon® - Glass Filled	TG
Teflon® - Mica Filled	TM
Teflon® - Polyimide Filled	TP
Teflon® - Virgin	TF
Titanium	TI
Ultra High Molecular Weight Polyethylene (UHMWPE)	UH
Urethane	UR
Viton®	VI
XWL	XL

Call your CheckPoint representative
about pre-assembled rebuild kits
+1 (504) 340-0770



WET END
SHEET 3,4



MOTOR SUB ASSEMBLY
SHEETS 5 - 11

-- DO NOT SCALE DRAWING --

FOR REFERENCE ONLY
CONTROLLED BY PDM



CheckPoint
Pumps & Systems

DWG. TITLE
5408 PUMP ASSY - 1/2"
316SS HEAD - CERAMIC

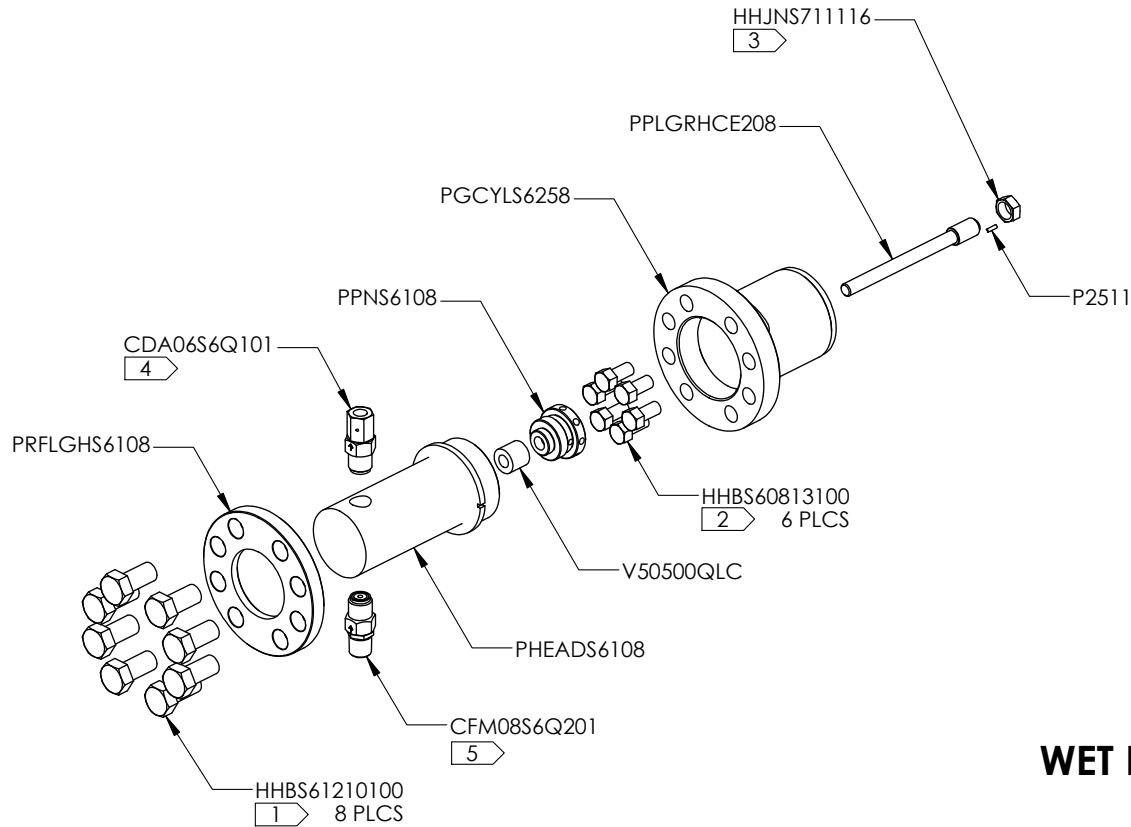
P5408C6Q3

SIZE
A

DRAWING NUMBER

PROPRIETARY AND CONFIDENTIAL

THE INFORMATION CONTAINED HEREIN IS PROPRIETARY TO CHECKPOINT SYSTEMS AND SHALL NOT BE REPRODUCED OR DISCLOSED IN WHOLE OR IN PART OR USED FOR ANY PURPOSE EXCEPT WHEN SUCH USER POSSESSES DIRECT WRITTEN AUTHORIZATION FROM CHECKPOINT SYSTEMS



- 1 TORQUE BOLTS TO 120 ft-lbs
- 2 TORQUE BOLTS TO 60 ft-lbs
- 3 TORQUE NUT TO 41 ft-lbs
- 4 DISCHARGE CHECK (SHEET 12,13)
- 5 SUCTION CHECK (SHEET 13,14)

PROPRIETARY AND CONFIDENTIAL

THE INFORMATION CONTAINED HEREIN IS PROPRIETARY TO CHECKPOINT SYSTEMS AND SHALL NOT BE REPRODUCED OR DISCLOSED IN WHOLE OR IN PART OR USED FOR ANY PURPOSE EXCEPT WHEN SUCH USER POSSESSES DIRECT WRITTEN AUTHORIZATION FROM CHECKPOINT SYSTEMS

-- DO NOT SCALE DRAWING --

FOR REFERENCE ONLY
CONTROLLED BY PDM



CheckPoint
Pumps & Systems

DWG. TITLE
5408 PUMP ASSY - 1/2"
316SS HEAD - CERAMIC

P5408C6Q3


DRAWING NUMBER

SIZE
A

PART NUMBER	DESCRIPTION	QTY.	Mat. Codes	Temp. Range
P2511	ALIGNMENT PIN	1	S0	NA
PGCYLS6258	GUARD CYLINDER	1	S6	NA
PHEADS6108	HEAD	1	S6	NA
PPLGRHCE208	PLUNGER ROD	1	CE	NA
PPNS6108	PACKING NUT	1	S6	NA
PRFLGHS6108	RETAINING FLANGE	1	S6	NA
CDA06S6Q101	DISCHARGE CHECK	1	S6/PF	-29/204
CFM08S6Q201	SUCTION CHECK	1	S6/PF	-29/204
V50500QLC	PACKING	1	PF/TM/PK	-29/204, -268/288, -73/288
HHBS60813100	BOLT	6	S6	NA
HHBS61210100	BOLT	8	S6	NA
HHJNS711116	JAM NUT	1	S7	NA

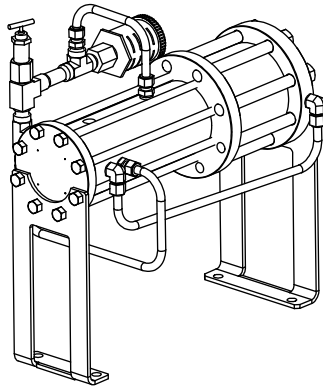
Call your CheckPoint representative about pre-assembled rebuild kits.
+1 (504) 340-0770

-- DO NOT SCALE DRAWING --

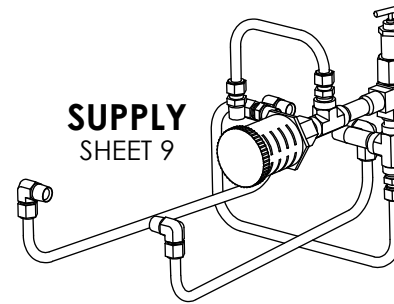
FOR REFERENCE ONLY CONTROLLED BY PDM  <small>21356 MARION LANE MANDEVILLE, LA 70471 USA TEL 504.340.0770 -- FAX 888.217.6402</small>	CheckPoint Pumps & Systems	
	DWG. TITLE 5408 PUMP ASSY - 1/2" 316SS HEAD - CERAMIC	
P5408C6Q3 <small>DRAWING NUMBER</small>		<small>SIZE</small> A

PROPRIETARY AND CONFIDENTIAL

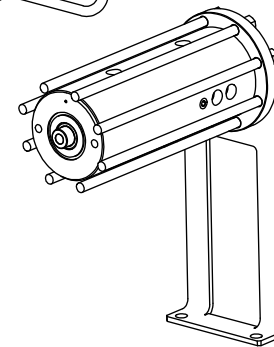
THE INFORMATION CONTAINED HEREIN IS PROPRIETARY TO CHECKPOINT SYSTEMS AND SHALL NOT BE REPRODUCED OR DISCLOSED IN WHOLE OR IN PART OR USED FOR ANY PURPOSE EXCEPT WHEN SUCH USER POSSESSES DIRECT WRITTEN AUTHORIZATION FROM CHECKPOINT SYSTEMS



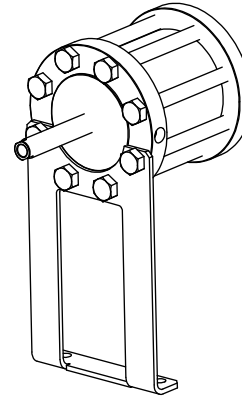
MOTOR ASSY



**SUPPLY
SHEET 9**



**HOUSING END
SHEET 8**



**CYLINDER END
SHEET 7**

-- DO NOT SCALE DRAWING --

FOR REFERENCE ONLY
CONTROLLED BY PDM



CheckPoint
Pumps & Systems

DWG. TITLE
MOTOR SUB-ASSY 5400

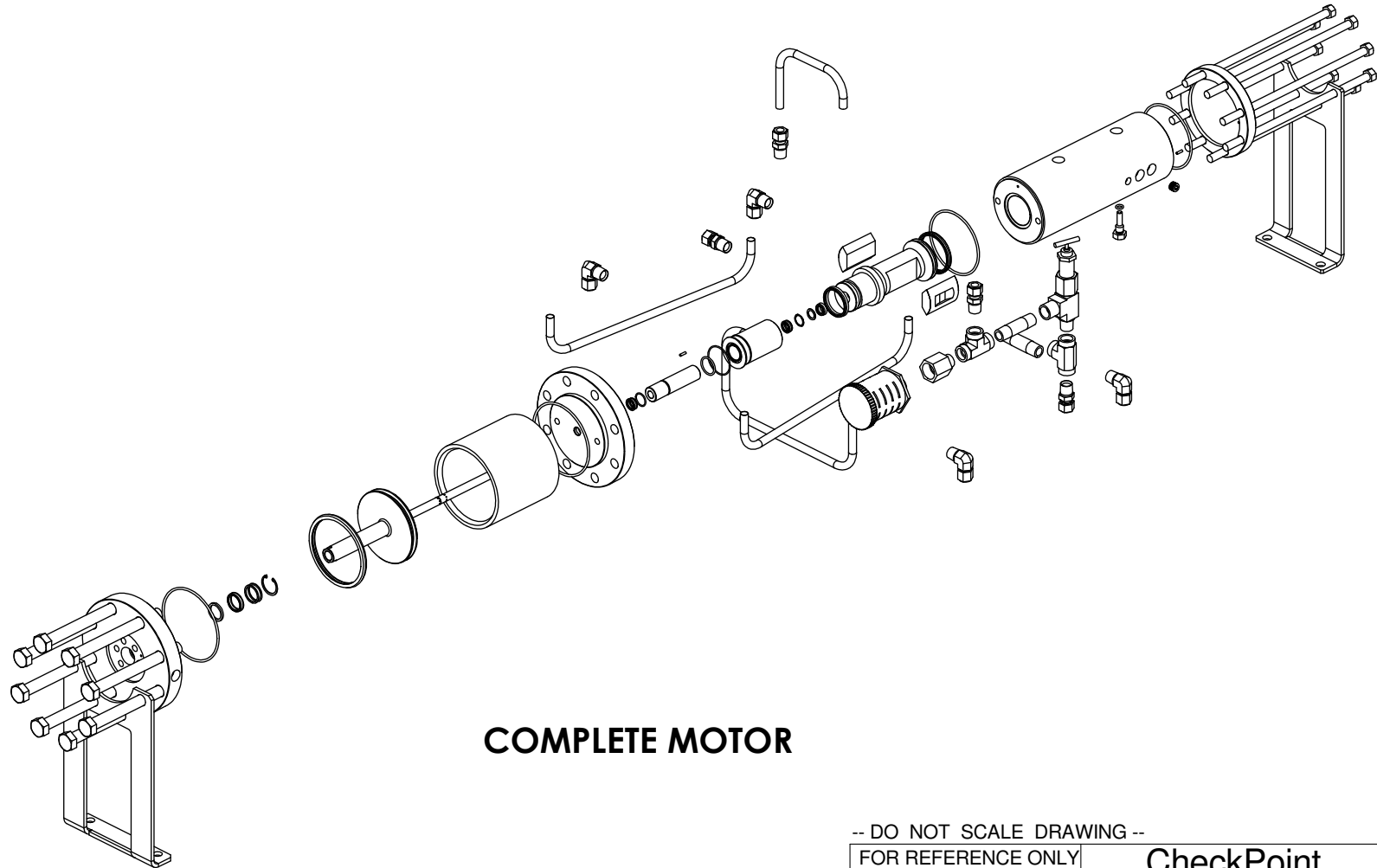
P54MSA1

DRAWING NUMBER

SIZE
A

PROPRIETARY AND CONFIDENTIAL

THE INFORMATION CONTAINED HEREIN IS PROPRIETARY TO CHECKPOINT SYSTEMS AND SHALL NOT BE REPRODUCED OR DISCLOSED IN WHOLE OR IN PART OR USED FOR ANY PURPOSE EXCEPT WHEN SUCH USER POSSESSES DIRECT WRITTEN AUTHORIZATION FROM CHECKPOINT SYSTEMS



COMPLETE MOTOR

-- DO NOT SCALE DRAWING --

FOR REFERENCE ONLY
CONTROLLED BY PDM



CheckPoint
Pumps & Systems

DWG. TITLE
MOTOR SUB-ASSY 5400

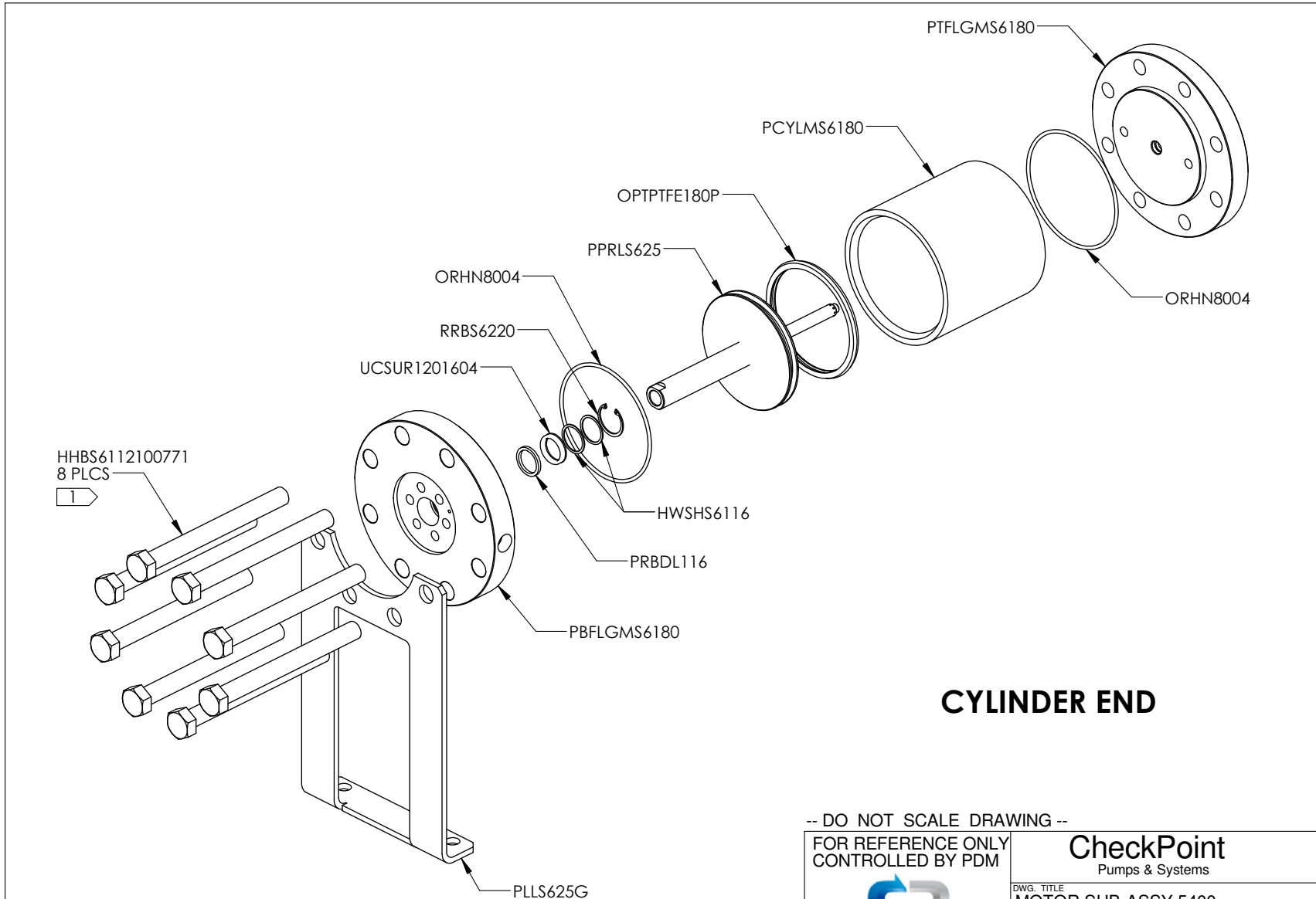
P54MSA1

SIZE
A

DRAWING NUMBER

PROPRIETARY AND CONFIDENTIAL

THE INFORMATION CONTAINED HEREIN IS PROPRIETARY TO CHECKPOINT SYSTEMS AND SHALL NOT BE REPRODUCED OR DISCLOSED IN WHOLE OR IN PART OR USED FOR ANY PURPOSE EXCEPT WHEN SUCH USER POSSESSES DIRECT WRITTEN AUTHORIZATION FROM CHECKPOINT SYSTEMS



CYLINDER END

1 TORQUE BOLTS TO 200 ft-lbs

PROPRIETARY AND CONFIDENTIAL

THE INFORMATION CONTAINED HEREIN IS PROPRIETARY TO CHECKPOINT SYSTEMS AND SHALL NOT BE REPRODUCED OR DISCLOSED IN WHOLE OR IN PART OR USED FOR ANY PURPOSE EXCEPT WHEN SUCH USER POSSESSES DIRECT WRITTEN AUTHORIZATION FROM CHECKPOINT SYSTEMS

-- DO NOT SCALE DRAWING --

FOR REFERENCE ONLY
CONTROLLED BY PDM



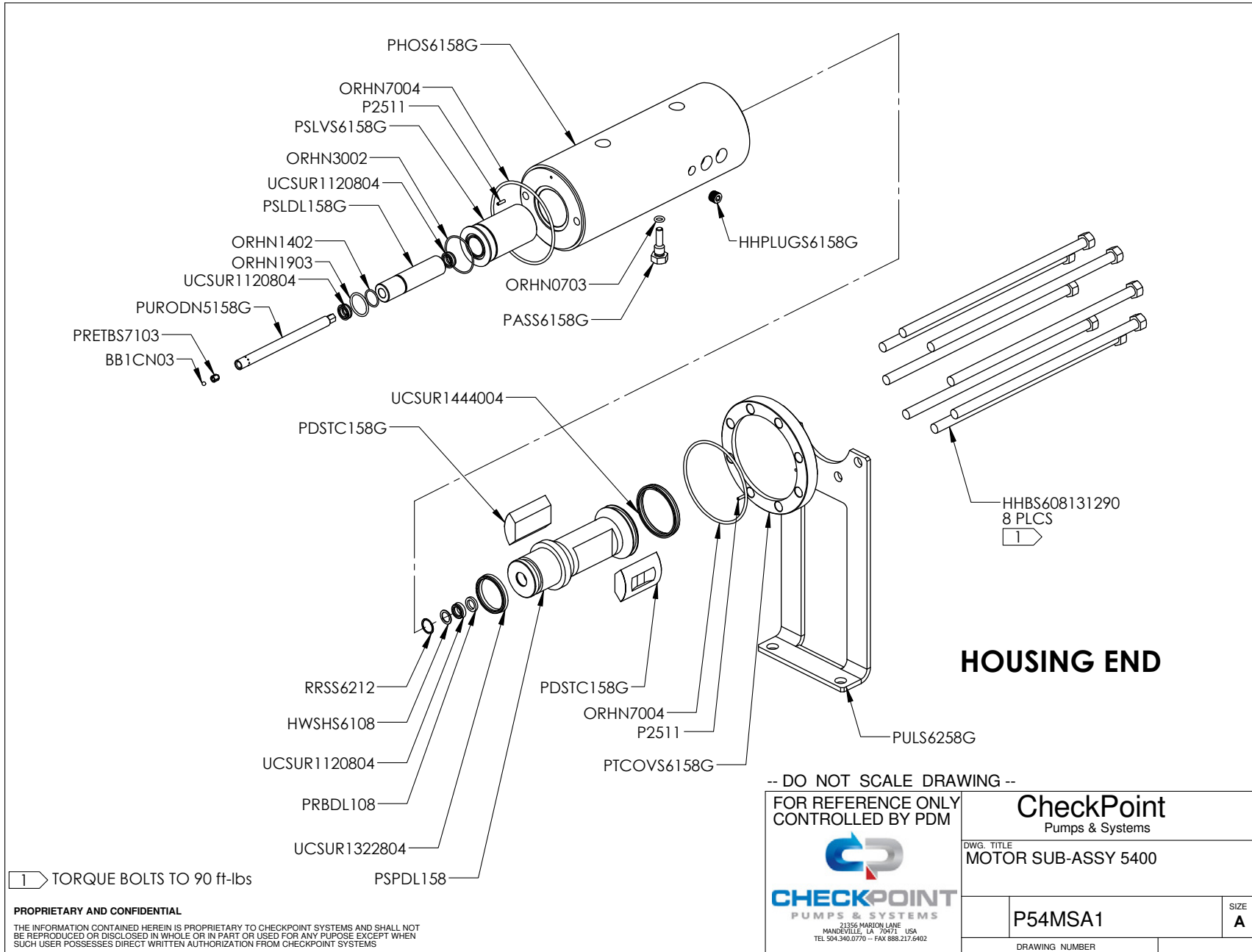
CheckPoint
Pumps & Systems

DWG. TITLE
MOTOR SUB-ASSY 5400

P54MSA1

SIZE
A

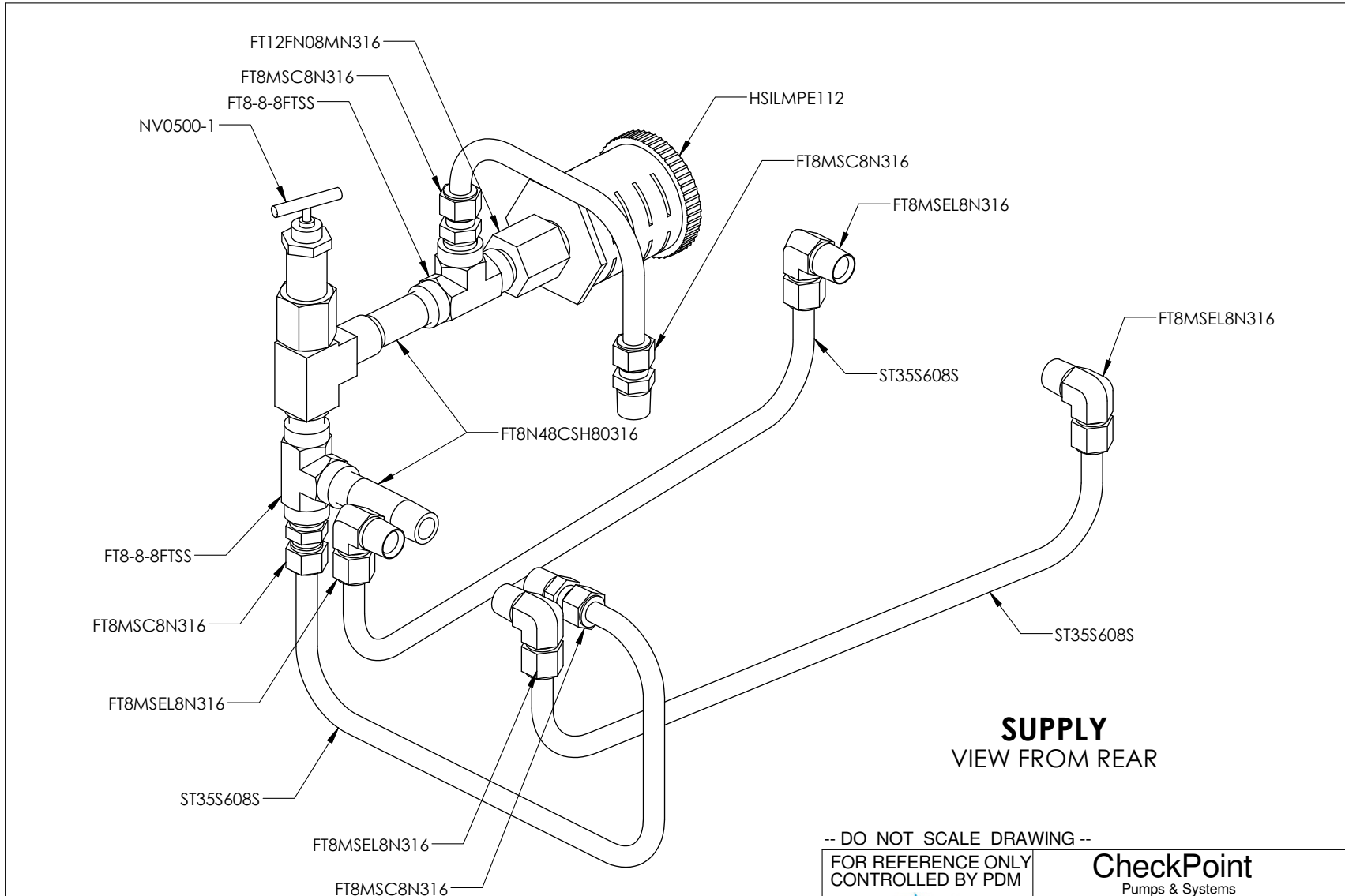
DRAWING NUMBER



1 TORQUE BOLTS TO 90 ft-lbs

PROPRIETARY AND CONFIDENTIAL

THE INFORMATION CONTAINED HEREIN IS PROPRIETARY TO CHECKPOINT SYSTEMS AND SHALL NOT BE REPRODUCED OR DISCLOSED IN WHOLE OR IN PART OR USED FOR ANY PURPOSE EXCEPT WHEN SUCH USER POSSESSES DIRECT WRITTEN AUTHORIZATION FROM CHECKPOINT SYSTEMS



-- DO NOT SCALE DRAWING --

FOR REFERENCE ONLY
CONTROLLED BY PDM



CheckPoint
Pumps & Systems

DWG. TITLE
MOTOR SUB-ASSY 5400

P54MSA1		SIZE A
DRAWING NUMBER		

PROPRIETARY AND CONFIDENTIAL


THE INFORMATION CONTAINED HEREIN IS PROPRIETARY TO CHECKPOINT SYSTEMS AND SHALL NOT BE REPRODUCED OR DISCLOSED IN WHOLE OR IN PART OR USED FOR ANY PURPOSE EXCEPT WHEN SUCH USER POSSESSES DIRECT WRITTEN AUTHORIZATION FROM CHECKPOINT SYSTEMS

PART NUMBER	DESCRIPTION	QTY.	Mat. Codes	Temp. Range
NV0500-1	NEEDLE VALVE ASSEMBLY	1	S6	NA
PASS6158G	ALIGNMENT SCREW	1	S6	NA
PHOS6158G	HOUSING	1	S6	NA
P2511	ALIGNMENT PIN	2	S0	NA
PBFLGMS6180	BOTTOM FLANGE	1	S6	NA
PCYLM6180	CYLINDER MOTOR	1	S6	NA
PTCOVS6158G	TOP COVER	1	S6	NA
PSLVS6158G	SLEEVE	1	S6	NA
PSPDL158	SPOOL	1	DL	-40/121
PDSTC158G	D SLIDE	2	TC	-268/288
PSLDL158G	SPACER SLEEVE	1	DL	-40/120
PURODN5158G	UPPER ROD	1	XL	NA
PRETBS7103	RETAINER	1	S7	NA
BB1CN03	CERAMIC BALL	1	CN	NA
PPRLS625	PISTON ROD	1	S6	NA
HHBS608131290	BOLT	8	S6	NA
HHBS6112100771	BOLT	8	S6	NA
PTFLGMS6180	TOP FLANGE	1	S6	NA
PULS6258G	UPPER LEG	1	S6	NA
PLLS625G	LOWER LEG	1	S6	NA

PROPRIETARY AND CONFIDENTIAL

THE INFORMATION CONTAINED HEREIN IS PROPRIETARY TO CHECKPOINT SYSTEMS AND SHALL NOT BE REPRODUCED OR DISCLOSED IN WHOLE OR IN PART OR USED FOR ANY PURPOSE EXCEPT WHEN SUCH USER POSSESSES DIRECT WRITTEN AUTHORIZATION FROM CHECKPOINT SYSTEMS

-- DO NOT SCALE DRAWING --

FOR REFERENCE ONLY CONTROLLED BY PDM		CheckPoint Pumps & Systems	
 <small>21356 MARION LANE MANDOVILLE, LA 70471 USA TEL 504.340.0770 -- FAX 888.217.6402</small>		DWG. TITLE MOTOR SUB-ASSY 5400	
P54MSA1			SIZE A
DRAWING NUMBER			

PART NUMBER	DESCRIPTION	QTY.	Mat. Codes	Temp. Range
UCSUR1444004	U-CUP SEAL	1	UR	-40/100
UCSUR1322804	U-CUP SEAL	1	UR	-40/100
UCSUR1201604	U-CUP SEAL	1	UR	-40/100
UCSUR1120804	U-CUP SEAL	3	UR	-40/100
OPTPTFE180P	PISTON SEAL	1	TM/AF	-268/288, 10/200
ORHN7004	O-RING	2	HN	-29/160
ORHN8004	O-RING	2	HN	-29/160
ORHN0703	O-RING	1	HN	-29/160
ORHN1903	O-RING	1	HN	-29/160
ORHN3002	O-RING	1	HN	-29/160
ORHN1402	O-RING	1	HN	-29/160
PRBDL116	BUSHING	1	DL	-40/121
PRBDL108	BUSHING	1	DL	-268/288
RRSS6212	SNAP RING	1	S6	NA
RRBS6220	SNAP RING	1	S6	NA
HWSHS6116	FLAT WASHER	2	S6	NA
HWSHS6108	FLAT WASHER	1	S6	NA
HSILMPE112	MUFFLER	1	NA	NA
HHPLUGS6158G	NPT PLUG	1	S6	NA
FT8MSEL8N316	ELBOW	4	S6	NA
FT8MSC8N316	CONNECTOR	4	S6	NA
FT8N48SCH80316	NIPPLE	2	S6	NA
FT8-8-8FT-SS	TEE	2	S6	NA
FT12FN08MN316	ADAPTER	1	S6	NA

K54MRU

Call your CheckPoint representative about pre-assembled rebuild kits. +1 (504) 340-0770
Motor Rebuild Kit - K54MRU - Contains all seals in the motor (air) end of the 5408 series pump.

-- DO NOT SCALE DRAWING --

FOR REFERENCE ONLY
CONTROLLED BY PDM



CheckPoint
Pumps & Systems

DWG. TITLE
MOTOR SUB-ASSY 5400

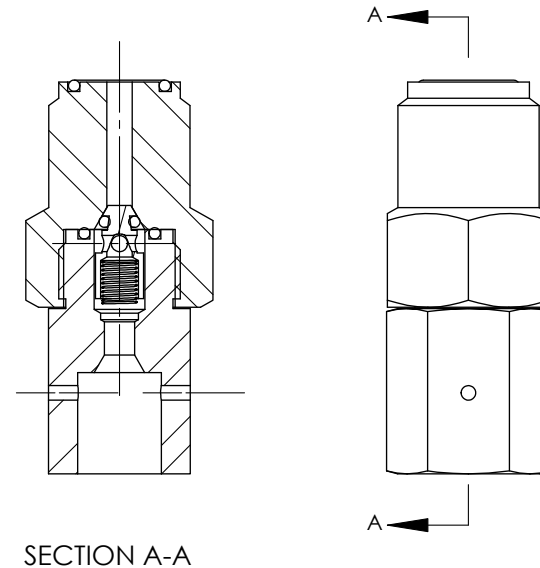
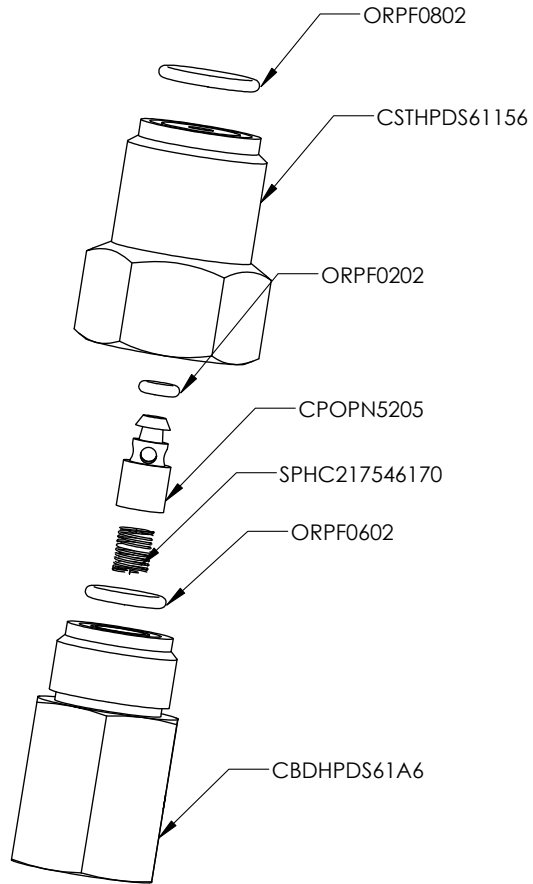
P54MSA1

SIZE
A

DRAWING NUMBER

PROPRIETARY AND CONFIDENTIAL

THE INFORMATION CONTAINED HEREIN IS PROPRIETARY TO CHECKPOINT SYSTEMS AND SHALL NOT BE REPRODUCED OR DISCLOSED IN WHOLE OR IN PART OR USED FOR ANY PURPOSE EXCEPT WHEN SUCH USER POSSESSES DIRECT WRITTEN AUTHORIZATION FROM CHECKPOINT SYSTEMS



Call your CheckPoint representative about pre-assembled rebuild kits.
+1 (504) 340-0770
Check Valve Rebuild Kit - KFF04S6Q301

-- DO NOT SCALE DRAWING --

FOR REFERENCE ONLY
CONTROLLED BY PDM



CheckPoint
Pumps & Systems

DWG. TITLE
DISCHARGE CHECK ASSEMBLY

CDA06S6Q101

DRAWING NUMBER

SIZE
A

PROPRIETARY AND CONFIDENTIAL


THE INFORMATION CONTAINED HEREIN IS PROPRIETARY TO CHECKPOINT SYSTEMS AND SHALL NOT BE REPRODUCED OR DISCLOSED IN WHOLE OR IN PART OR USED FOR ANY PURPOSE EXCEPT WHEN SUCH USER POSSESSES DIRECT WRITTEN AUTHORIZATION FROM CHECKPOINT SYSTEMS

PART NUMBER	DESCRIPTION	QTY.	Mat. Codes	Temp. Range
CBDHPDS61A6	BODY	1	S6	NA
CSTHPDS61156	SEAT	1	S6	NA
CPOP5205	POPPET	1	XL	NA
SPHC217546170	SPRING	1	HC	NA
ORPF0202	O-RING	1	PF	-29/204
ORPF0602	O-Ring	1	PF	-29/204
ORPF0802	O-Ring	1	PF	-29/204

KFF04S6Q301

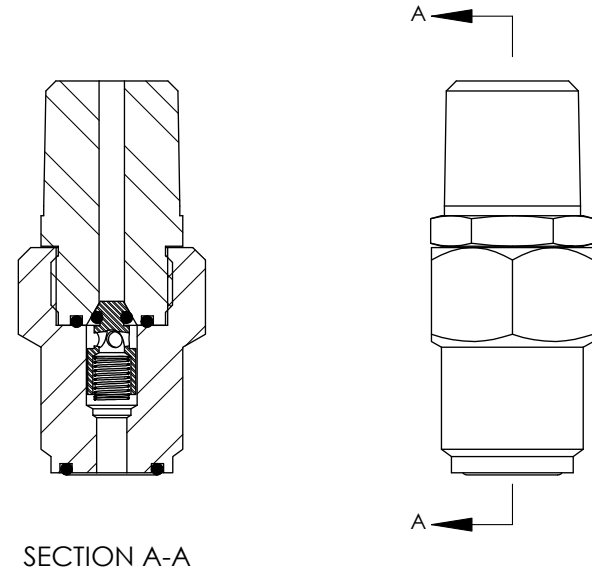
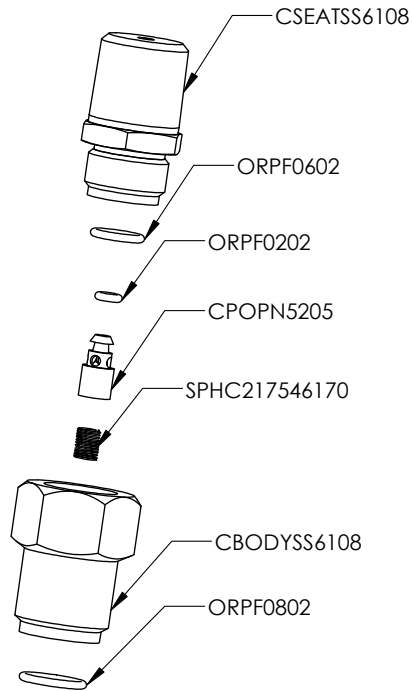
Call your CheckPoint representative about pre-assembled rebuild kits.
+1 (504) 340-0770
Check Valve Rebuild Kit - KFF04S6Q301

-- DO NOT SCALE DRAWING --

FOR REFERENCE ONLY CONTROLLED BY PDM		CheckPoint Pumps & Systems	
		DWG. TITLE DISCHARGE CHECK ASSEMBLY	
21356 MARION LANE MANDERVILLE, LA 70471 USA TEL 504.340.0770 -- FAX 888.217.6402		CDA06S6Q101	SIZE A
DRAWING NUMBER			


PROPRIETARY AND CONFIDENTIAL

THE INFORMATION CONTAINED HEREIN IS PROPRIETARY TO CHECKPOINT SYSTEMS AND SHALL NOT BE REPRODUCED OR DISCLOSED IN WHOLE OR IN PART OR USED FOR ANY PURPOSE EXCEPT WHEN SUCH USER POSSESSES DIRECT WRITTEN AUTHORIZATION FROM CHECKPOINT SYSTEMS



Call your CheckPoint representative about pre-assembled rebuild kits.
+1 (504) 340-0770
Check Valve Rebuild Kit - KFF04S6Q301

-- DO NOT SCALE DRAWING --

FOR REFERENCE ONLY CONTROLLED BY PDM		CheckPoint Pumps & Systems	
		DWG. TITLE SUCTION CHECK ASSEMBLY	
CFM08S6Q201		SIZE A	
DRAWING NUMBER			


PROPRIETARY AND CONFIDENTIAL
THE INFORMATION CONTAINED HEREIN IS PROPRIETARY TO CHECKPOINT SYSTEMS AND SHALL NOT BE REPRODUCED OR DISCLOSED IN WHOLE OR IN PART OR USED FOR ANY PURPOSE EXCEPT WHEN SUCH USER POSSESSES DIRECT WRITTEN AUTHORIZATION FROM CHECKPOINT SYSTEMS

PART NUMBER	DESCRIPTION	QTY.	Mat. Codes	Temp. Range
CBODYSS6108	BODY	1	S6	NA
CSEATSS6108	SEAT	1	S6	NA
CPOPN5205	POPPET	1	XL	NA
SPHC217546170	SPRING	1	HC	NA
ORPF0202	O-RING	1	PF	-29/204
ORPF0602	O-Ring	1	PF	-29/204
ORPF0802	O-Ring	1	PF	-29/204

KFF04S6Q301

Call your CheckPoint representative about pre-assembled rebuild kits.
+1 (504) 340-0770
Check Valve Rebuild Kit - KFF04S6Q301- Contains o-rings and spring

-- DO NOT SCALE DRAWING --

FOR REFERENCE ONLY CONTROLLED BY PDM  <small>21356 MARION LANE MANDOVILLE, LA 70471 USA TEL 504.340.0770 -- FAX 888.217.6402</small>	CheckPoint Pumps & Systems DWG. TITLE SUCTION CHECK ASSEMBLY
CFM08S6Q201 <small>DRAWING NUMBER</small>	<small>SIZE</small> A

PROPRIETARY AND CONFIDENTIAL

THE INFORMATION CONTAINED HEREIN IS PROPRIETARY TO CHECKPOINT SYSTEMS AND SHALL NOT BE REPRODUCED OR DISCLOSED IN WHOLE OR IN PART OR USED FOR ANY PUPOSE EXCEPT WHEN SUCH USER POSSESSES DIRECT WRITTEN AUTHORIZATION FROM CHECKPOINT SYSTEMS