

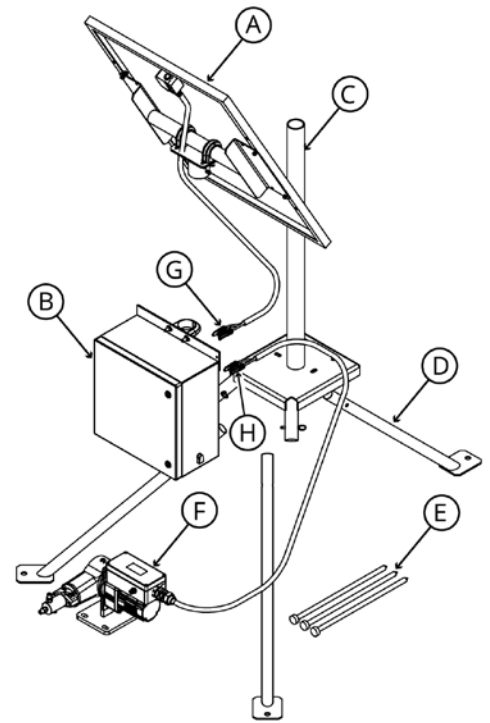
QUICK SETUP

Series FXS Solar Injection System



Setup

1. Install in a well-ventilated designated safe area.
2. Install the three legs (D) to the solar stand center (C) and clamp together using the supplied snap end locking pins.
3. Anchor the solar stand in desired position using the supplied ground stakes (E) or by securing to an existing pad.
4. Install battery enclosure (B) to the solar stand center (C) using supplied U-bolt. Rest the weight of the battery enclosure on the stand shelf.
5. Install solar panel (A) to the top of the stand and tighten the two square head set screws firmly to the pole.
6. Position the solar panel to the optimal position and tighten U-bolts on the solar panel tilt angle mount.
7. Plug in the solar panel quick connects (G) to the back of the battery enclosure (B).
8. Install pump (F) in the desired location or on the back side of the solar stand using the supplied bolts.
9. Plug in the pump quick connects (H) to the back of the battery enclosure (B).
10. Set the desired flow rate following the procedure outlined in the Series FXS Solar Injection IOM.



Major Components

- A. 100W/5.75A Solar Panel
- B. Battery Enclosure/Solar Controller
- C. Solar Stand Center
- D. Solar Stand Legs
- E. Mounting Stakes
- F. Solar Injection Pump
- G. Solar Panel Quick Connects
- H. Pump Quick Connects

Required Tools

- Safety equipment including work gloves, safety goggles, and hard hat
- Small adjustable wrench
- 9/16" open-end wrench

